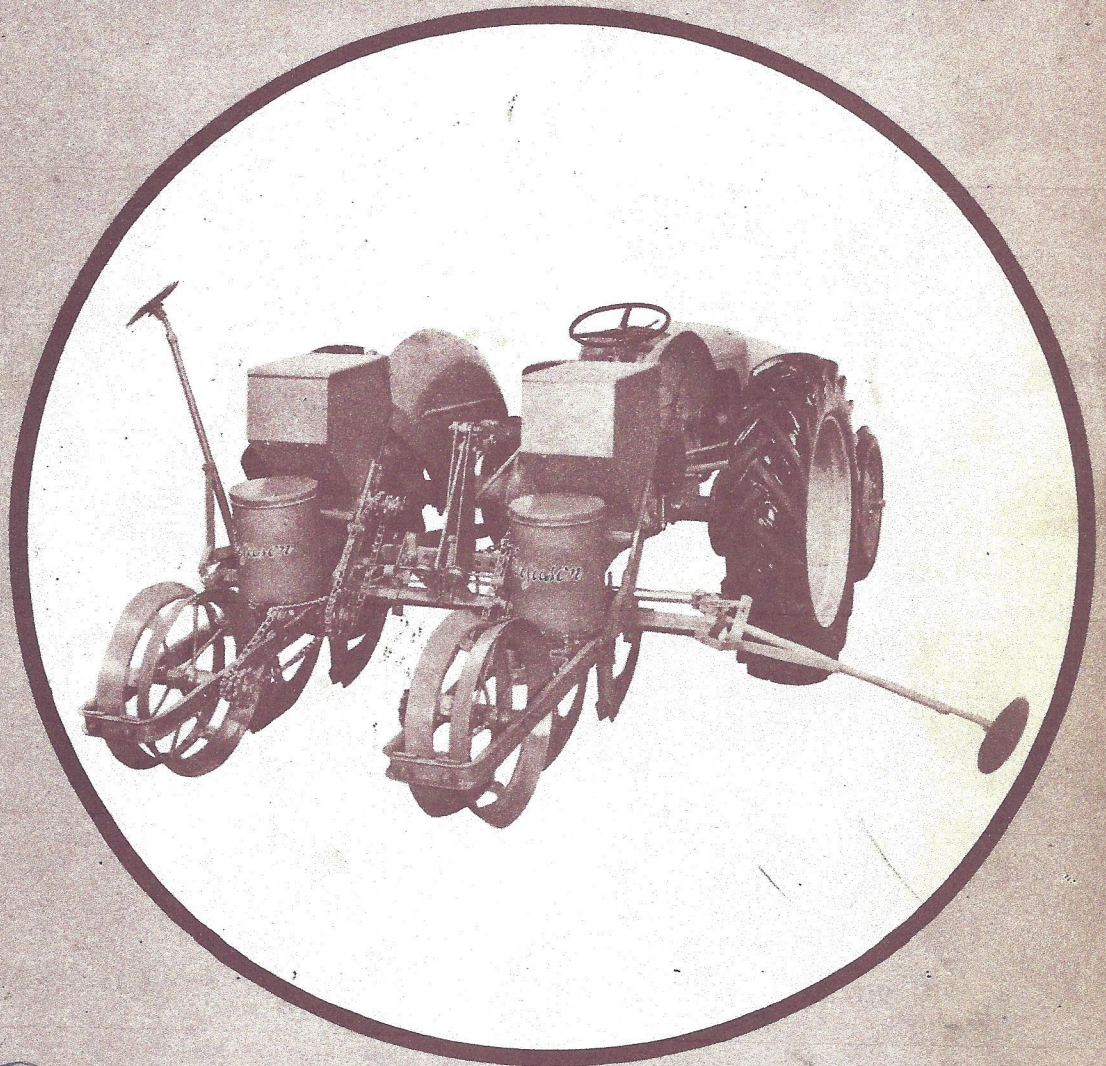




PARTS BOOK

FOR D-PO AND D-PO-A DRILL PLANTERS WITH A-RO-A60
AND A-RO-B60 FERTILIZER ATTACHMENTS



Form No. 693 035 MI

Replaces O-3509

FERGUSON DIVISION

MASSEY-HARRIS-FERGUSON, INC.

RACINE, WISCONSIN

FOREWORD

This parts book consolidates for your easy reference the current and prior model service parts for the D-PO and D-PO-A Drill Planter with their respective Fertilizer Attachment A-RO-A60 and A-RO-B60.

The arrangement of this parts book follows the same pattern we have established in previous books. Text appears with or on accompanying page of the illustration.

* * *

PLEASE NOTE:

On pages 32, 33 and 34 optional Seed Plates are set-up in a chart form showing Seed Plate number, number of cells, false plate number, cell dimensions and kind of seed.

The set-up of this book has been changed from the previous books.

Indented parts in the descriptive list are part of the preceding Assembly or Sub-Assembly.

Example:

688 435 M91	Strap Assembly, Marker Adjusting
688 437 M1	Spacer, Pipe
19 516 X	Rivet, Wagon Box Head

In the above:

688 437 M1 and 19 516 X are part of 688 435 M91 Assembly.

GROUP INDEX

<u>Group</u>		<u>Page</u>
	Numerical Index.....	4, 5
	Seed Plates Chart.....	32, 33, 34
<u>D-PO-A</u>		
1	Frame, Marker, Extension and Related Parts....	7, 9
4	Fertilizer Attachment - A-RO-B.....	17, 19
2	Press Wheel and Related Parts.....	11, 13
3	Seed Can and Related Parts.....	15
<u>D-PO</u>		
8	Drive Sheave, Shaft and Related Parts.....	25
11	Fertilizer Attachment - A-RO-A.....	29, 31
7	Frame and Related Parts.....	24
10	Gear Case Assembly and Related Parts.....	27
5	Marker Extension and Related Parts.....	21
6	Press Wheel and Related Parts.....	23
9	Seed Can and Related Parts.....	26

NUMERICAL INDEX

Part No.	Page No.	Ref. No.	Part No.	Page No.	Ref. No.	Part No.	Page No.	Ref. No.
2 990 X	7	2	353 601 X1	23	14	688 137 M1	31	41
12 481 X	31	40	353 603 X1	23	22	688 138 M1	31	30
13 222 X	7	1	353 690 X1	15	1	688 139 M1	31	28
13 811 X	25	12	353 700 X1	11	6	688 140 M1	31	31
14 027 X	15	-	353 755 X1	9	32	688 142 M91	31	49
16 894 X	26	8	353 757 X1	7	19	688 143 M1	31	45
19 516 X	7	-	353 758 X1	21	21	688 144 M1	31	48
29 163 X	29	15	353 759 X1	19	-	688 146 M91	23	13
29 164 X	17	23	353 760 X1	11	18	688 148 M91	7	3
195 115 M1	29	13	353 761 X1	19	27	688 149 M1	7	-
195 234 M1	7	15	353 772 X1	11	30	688 151 M1	7	9
195 242 M1	9	38	353 773 X1	29	9	688 152 M1	23	2
195 307 M1	9	54	353 790 X1	29	25	688 153 M1	23	1
195 345 M1	9	41	353 791 X1	19	31	688 154 M91	23	30
195 346 M1	9	40	353 825 X1	17	6	688 155 M1	23	7
195 347 M1	9	39	353 826 X1	23	9	688 156 M91	24	6
195 364 M1	11	6	353 827 X1	13	32	688 157 M1	21	37
195 397 M1	21	23	353 828 X1	11	3	688 158 M1	21	39
195 398 M1	21	35	353 830 X1	23	6	688 159 M91	21	34
195 400 M1	21	21	353 834 X1	11	30	688 160 M1	21	22
195 407 M1	9	31	353 836 X1	13	36	688 161 M91	21	25
195 408 M1	9	48	353 839 X1	19	35	688 162 M91	21	24
195 409 M1	9	59	353 865 X1	9	46	688 163 M91	21	32
195 416 M1	7	15	353 867 X1	13	47	688 164 M1	21	28
195 559 M1	9	41	353 916 X1	13	38	688 165 M1	21	15
195 594 M1	11	8	353 918 X1	13	45	688 166 M1	21	15
195 607 M1	11	9	353 982 X1	27	13	688 167 M1	21	33
195 608 M1	9	50	353 988 X1	26	13	688 168 M1	24	7
195 609 M1	11	10	353 995 X1	19	48	688 169 M1	24	4
195 692 M1	13	46	354 023 X1	15	11	688 170 M91	23	3
195 708 M1	11	16	354 057 X1	11	10	688 171 M1	15	15
195 793 M1	9	36	354 058 X1	23	16	688 172 M1	15	12
350 499 X1	13	35	354 059 X1	9	32	688 173 M91	26	3
353 426 X1	7	18	354 066 X1	11	18	688 174 M1	15	16
353 427 X1	9	46	354 067 X1	9	31	688 175 M91	26	10
353 428 X1	11	30	354 068 X1	17	15	688 176 M1	26	6
353 432 X1	7	18	354 074 X1	31	46	688 177 M1	26	1
353 433 X1	9	46	354 076 X1	29	19	688 178 M1	26	2
353 434 X1	15	1	354 077 X1	24	8	688 179 M1	26	4
353 437 X1	21	40	354 078 X1	19	30	688 180 M1	32	-
353 439 X1	21	40	354 080 X1	27	2	688 181 M1	15	7
353 441 X1	13	45	354 082 X1	25	1	688 182 M1	15	7
353 445 X1	27	13	354 083 X1	25	13	688 183 M1	26	9
353 446 X1	13	38	354 084 X1	7	10	688 184 M1	26	7
353 509 X1	13	45	354 089 X1	31	44	688 185 M91	23	18
353 515 X1	29	24	354 120 X1	27	13	688 186 M1	27	14
353 516 X1	7	27	354 121 X1	15	11	688 187 M1	23	29
353 518 X1	17	3	354 122 X1	19	48	688 189 M1	23	10
353 519 X1	29	4	480 190 M1	17	2	688 190 M1	23	11
353 526 X1	27	5	688 119 M91	29	11	688 191 M1	23	27
353 528 X1	13	38	688 120 M91	29	14	688 192 M1	23	17
353 532 X1	13	38	688 121 M91	29	7	688 193 M1	21	17
353 559 X1	7	12	688 122 M91	31	29	688 194 M91	21	16
353 560 X1	29	13	688 123 M91	19	32	688 195 M1	27	4
353 561 X1	17	20	688 124 M91	17	1	688 196 M1	27	11
353 563 X1	17	17	688 125 M91	29	1	688 197 M1	7	5
353 564 X1	7	23	688 126 M1	19	33	688 198 M1	23	15
353 570 X1	7	28	688 128 M1	29	23	688 199 M1	21	5
353 572 X1	7	18	688 129 M91	29	21	688 200 M1	21	20
353 573 X1	9	56	688 130 M1	29	17	688 201 M1	23	4
353 593 X1	21	13	688 131 M1	29	16	688 202 M1	25	19
353 594 X1	29	10	688 132 M1	29	8	688 203 M1	25	14
353 595 X1	21	40	688 133 M1	29	12	688 205 M1	27	18
353 597 X1	29	9	688 134 M1	31	43	688 206 M1	27	1
353 598 X1	31	42	688 135 M1	31	50	688 207 M1	27	2
353 600 X1	25	16	688 136 M1	31	36	688 208 M91	25	24

NUMERICAL INDEX - Continued

Part No.	Page No.	Ref. No.	Part No.	Page No.	Ref. No.	Part No.	Page No.	Ref. No.
688 209 M1	25	8	688 330 M91	17	8	688 466 M1	33	-
688 210 M1	25	7	688 331 M91	19	26	688 467 M1	33	-
688 211 M1	25	6	688 332 M1	17	23	688 468 M1	15	7
688 212 M1	25	2	688 335 M1	17	14	688 469 M1	33	-
688 213 M1	25	5	688 336 M1	19	47	688 470 M1	34	-
688 214 M1	25	3	688 337 M1	17	13	688 471 M1	34	-
688 215 M1	25	11	688 338 M91	11	25	688 472 M1	34	-
688 216 M1	25	18	688 341 M1	11	23	688 473 M1	34	-
688 217 M91	21	27	688 342 M1	19	28	688 474 M1	13	34
688 218 M91	23	23	688 343 M1	19	34	688 475 M1	15	6
688 219 M91	23	23	688 344 M1	17	11	688 476 M1	15	6
688 220 M1	23	21	688 345 M1	17	9	688 477 M1	13	44
688 221 M91	23	20	688 346 M1	19	39	688 478 M1	11	26
688 222 M91	27	7	688 347 M1	19	36	688 479 M1	13	31
688 223 M1	27	12	688 349 M1	11	1	688 480 M1	34	-
688 224 M1	27	9	688 397 M91	11	5	688 481 M1	34	-
688 225 M1	27	16	688 401 M91	7	-	688 482 M1	34	-
688 226 M1	27	3	688 402 M91	21	1	688 483 M1	34	-
688 227 M1	27	5	688 403 M91	7	1	688 484 M1	34	-
688 228 M1	15	14	688 404 M1	7	6	688 485 M1	34	-
688 229 M1	15	10	688 406 M1	9	41	688 486 M1	34	-
688 230 M1	25	4	688 408 M1	9	33	688 491 M91	15	4
688 231 M1	21	26	688 409 M1	9	34	688 493 M1	15	5
688 232 M1	21	30	688 410 M1	9	35	688 494 M1	15	-
688 233 M1	21	18	688 417 M1	9	55	688 496 M1	15	3
688 234 M1	27	10	688 418 M1	9	52	688 497 M1	34	-
688 235 M1	25	10	688 419 M1	9	51	688 500 M1	13	42
688 236 M1	7	8	688 420 M1	9	53	688 501 M1	11	7
688 237 M91	24	1	688 421 M91	9	37	688 504 M91	11	11
688 238 M91	24	9	688 424 M1	9	57	688 506 M91	7	17
688 239 M91	24	10	688 425 M1	9	58	688 507 M91	7	17
688 240 M91	23	26	688 426 M91	7	26	688 510 M1	7	11
688 241 M1	25	23	688 429 M1	9	43	688 513 M91	7	13
688 242 M1	23	27	688 430 M1	9	32	688 517 M91	7	27
688 243 M1	25	20	688 431 M1	9	30	688 518 M1	7	25
688 244 M1	27	15	688 432 M1	9	29	688 523 M1	7	4
688 245 M1	19	44	688 433 M1	9	49	688 524 M1	11	29
688 246 M1	11	15	688 434 M1	9	45	688 525 M1	11	28
688 247 M1	11	14	688 435 M91	7	24	688 526 M1	13	37
688 248 M1	11	13	688 440 M91	15	18	688 529 M1	11	12
688 249 M1	11	20	688 441 M1	15	13	688 530 M1	13	46
688 250 M1	11	21	688 443 M1	15	17	688 531 M1	11	24
688 251 M1	19	46	688 444 M1	15	2	688 532 M91	9	47
688 252 M1	31	32	688 445 M1	15	8	688 540 M1	11	27
688 253 M1	31	38	688 446 M1	15	8	688 543 M91	13	40
688 254 M1	11	22	688 448 M1	32	-	688 553 M1	25	17
688 255 M1	31	40	688 449 M1	32	-	688 554 M1	33	-
688 256 M1	25	14	688 450 M1	32	-	688 555 M1	32	-
688 257 M91	19	-	688 451 M1	32	-	688 556 M1	33	-
688 258 M1	29	-	688 452 M1	32	-	688 557 M1	21	12
688 282 M91	29	18	688 453 M1	32	-	688 558 M1	21	38
688 289 M91	31	46	688 454 M1	26	5	688 559 M1	23	24
688 293 M1	17	18	688 455 M1	32	-	688 560 M91	15	6
688 297 M1	19	29	688 456 M1	32	-	688 561 M91	15	9
688 298 M91	17	25	688 457 M1	33	-	688 562 M1	15	3
688 299 M91	17	22	688 459 M1	33	-	688 563 M1	13	44
688 304 M1	9	44	688 460 M1	33	-	701 297 M1	7	-
688 308 M91	19	38	688 461 M1	33	-	L 32	11	17
688 309 M91	17	16	688 462 M1	33	-	EN 96	7	20
688 314 M91	17	4	688 463 M1	33	-	O 161	7	21
688 318 M91	17	24	688 464 M1	33	-	GN 5 032	11	4
688 325 M91	17	5	688 465 M1	33	-			

FIG. 1 FRAME MARKER EXTENSION AND RELATED PARTS

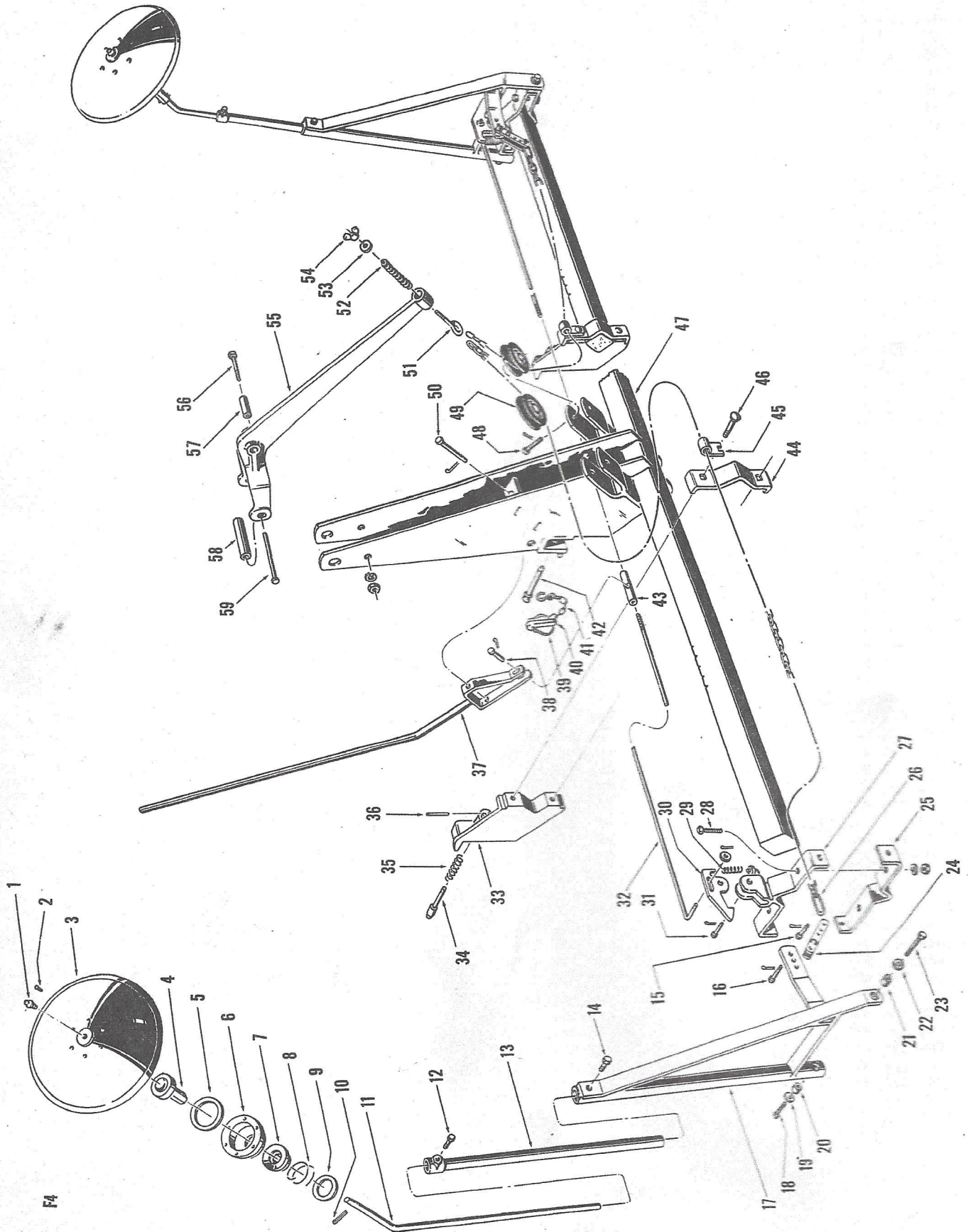
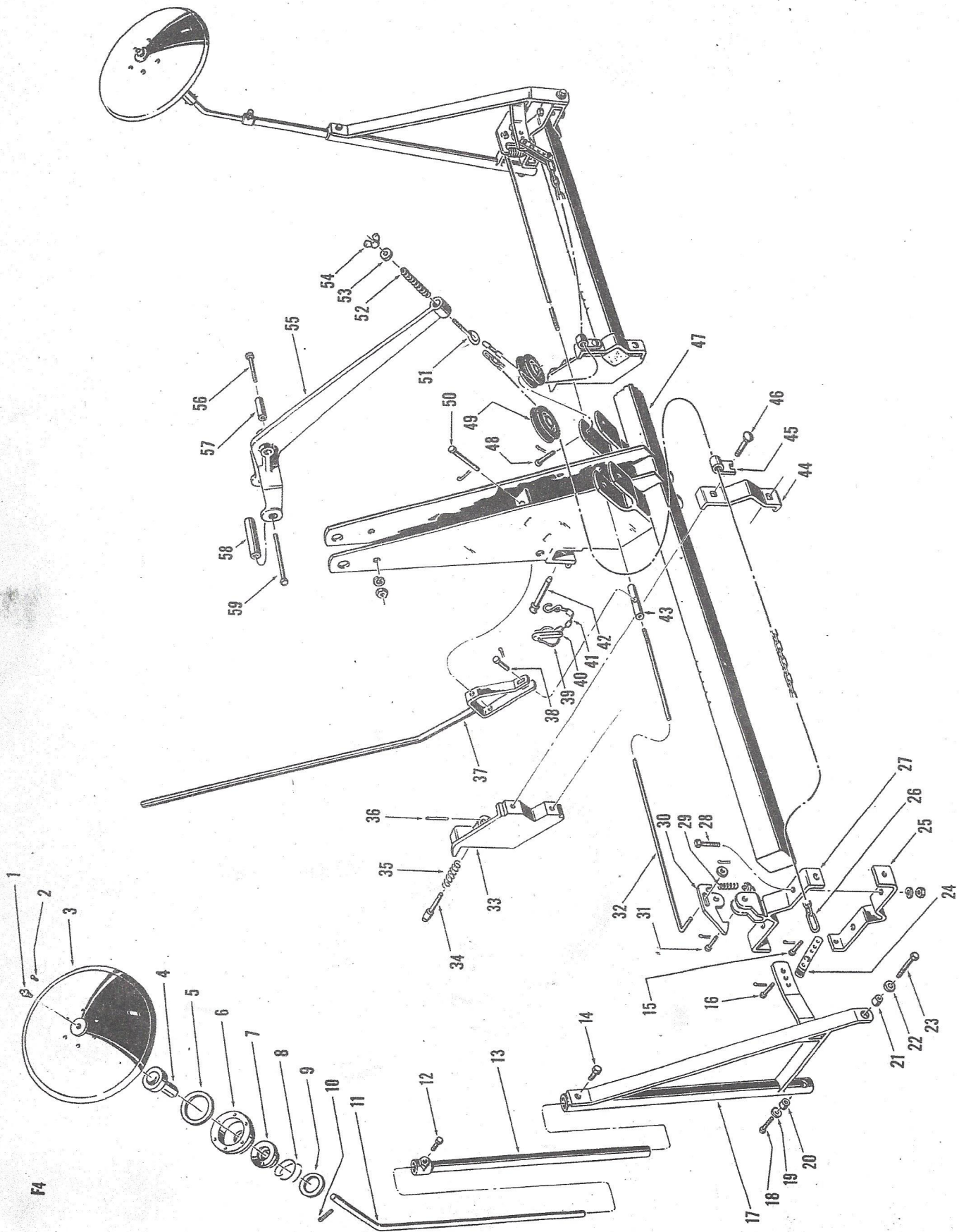


FIG. 1 FRAME, MARKER, EXTENSION AND RELATED PARTS

Ref. No.	Part No.	Replaces	Description	No. Req.
1	688 401 M91	D-PO-A200	Extension Assembly, Marker (Inc. items #1 thru 11).....	2
	13 222 X	12-107	Fitting, Lubrication.....	1
2	688 403 M91	D-PO-A201	Disc and Hub Assembly (Inc. items #2 thru 6).....	1
	2 990 X	25-06-75	Rivet, Button Head, Disc to Hub.....	6
3	688 148 M91	D-PO-202	Disc Assembly.....	1
	688 149 M1	D-PO-204	Bushing (shown in position).....	1
4	688 523 M1	D-PO-A5502	Bearing, Disc.....	1
5	688 197 M1	D-PO-5410	Gasket, Disc.....	1
6	688 404 M1	D-PO-210	Hub, Disc.....	1
7	688 150 M1	D-PO-205	Ring, Dust.....	1
8	688 236 M1	D-PO-7211	Spring, Dust Ring.....	1
9	688 151 M1	D-PO-206	Washer, Disc.....	1
10	354 084 X1	19-05-225	Pin, Cotter, Extension to Bearing.....	1
11	688 510 M1	D-PO-A3853	Extension, Marker.....	1
12	353 559 X1	44-001-100	Bolt, Hex. Head, Extension Adjustment.....	2
13	688 513 M91	D-PO-A3856	Tube Assembly, Marker, Telescoping.....	2
14	353 559 X1	44-001-100	Bolt, Hex. Head, Tube Assembly Adjustment.....	2
15	195 234 M1	S-10211-B	Pin, Clevis, Strap Assembly to Chain Assembly.....	2
	195 416 M1	S-10202-C	Pin, Internal Cotter Hair.....	2
16	195 234 M1	S-10211-B	Pin, Clevis, Strap Assembly to Bracket Assembly.....	2
	195 416 M1	S-10202-C	Pin, Internal Cotter Hair.....	2
17	688 506 M91	D-PO-A3840	Bracket Assembly, Marker, R.H.....	1
	688 507 M91	D-PO-A3841	Bracket Assembly, Marker, L.H.....	1
18	353 572 X1	44-001-262	Bolt, Hex. Head, Bracket to Spacer to Clamp.....	2
	353 432 X1	44-14	Washer, Lock, Not Illustrated.....	2
	353 426 X1	44-003	Nut, Hex., Not Illustrated.....	2
19	353 757 X1	44-104	Washer, Flat.....	2
20	EN 96	D-PO-A3866	Spacer, Marker, 1-3/8" Long.....	2
21	0 161	D-PO-A3867	Spacer, Marker, 13/32" Long.....	2
22	353 757 X1	44-104	Washer, Flat.....	2
23	353 564 X1	44-001-162	Bolt, Hex. Head, Bracket to Spacer to Clamp.....	2
	353 432 X1	44-14	Washer, Lock (Not Illustrated).....	2
	353 426 X1	44-003	Nut, Hex. (Not Illustrated).....	2
24	688 435 M91	D-PO-A851	Strap Assembly, Marker Adjusting.....	2
	701 297 M1	D-PO-A854	Spacer, Pipe (shown in position).....	1
	19 516 X	31-26-88	Rivet, Wagon Box Head (shown in position).....	1
25	688 518 M1	D-PO-A3862	Bracket, Marker Mounting.....	2
26	688 426 M91	D-PO-A840	Chain Assembly, Marker.....	2
27	688 516 M91	D-PO-A3860	Clamp Assembly, R.H.....	1
	688 517 M91	D-PO-A3861	Clamp Assembly, L.H.....	1
28	353 570 X1	44-001-238	Bolt, Hex. Head, Clamp to Bracket.....	4
	353 432 X1	44-14	Washer, Lock.....	4
	353 426 X1	44-003	Nut, Hex.....	4

FIG. 1 FRAME, MARKER, EXTENSION AND RELATED PARTS



F4

FIG. 1 FRAME, MARKER, EXTENSION AND RELATED PARTS - Continued 9

Ref. No.	Part No.	Replaces	Description	No. Req.
29	688 432 M1	D-PO-A848	Spring, Marker Latch.....	2
30	688 431 M1	D-PO-A847	Latch, Marker.....	2
31	195 407 M1	S-10214-M	Pin, Clevis, Latch to Clamp Assembly.....	2
	354 067 X1	16-05-112	Pin, Cotter.....	2
32	688 430 M1	D-PO-A846	Rod, Latch.....	2
	353 755 X1	31-104	Washer, Flat.....	2
	354 059 X1	12-05-100	Pin, Cotter.....	2
33	688 408 M1	D-PO-A646-A	Stop, Drawbar.....	2
34	688 409 M1	D-PO-A647	Pin, Stop.....	1
35	688 410 M1	D-PO-A648	Spring, Stop Pin.....	1
36	195 793 M1	S-10219	Pin, Groove.....	1
37	688 421 M91	D-PO-A834	Handle Assembly, Marker Trip.....	1
38	195 242 M1	S-10211-K	Pin, Clevis, Handle to Pivot Bar.....	1
	354 059 X1	12-05-100	Pin, Cotter.....	1
39	195 347 M1	S-9563	Ring, Linch Pin Locking.....	1
40	195 346 M1	S-9552	Pin, Linch.....	1
41	195 345 M1	S-9561-C	Chain, Linch Pin, 13 Links.....	1
	195 559 M1	S-9562	Eye, Retainer Pin.....	1
42	688 406 M1	D-PO-A641	Pin, Retainer, Special Head.....	1
43	688 429 M1	D-PO-A844	Bar, Pivot.....	1
44	688 304 M1	D-PO-A653-A	Clamp, Drawbar.....	2
45	688 434 M1	D-PO-A850-A	Guide, Chain.....	2
46	353 865 X1	62-011-200	Bolt, Carriage, Guide to Clamp to Stop.....	4
	353 433 X1	62-14	Washer, Lock (Not Illustrated).....	4
	353 427 X1	62-003	Nut, Hex. (Not Illustrated).....	4
47	688 532 M91	D-PO-A7800	Frame Assembly, Main.....	1
48	195 408 M1	S-10214-N	Pin, Clevis, Pulley to Frame.....	2
	354 067 X1	16-05-112	Pin, Cotter.....	2
49	688 433 M1	D-PO-A849	Pulley, Marker Chain.....	2
50	195 608 M1	S-10212-E	Pin, Clevis, Handle to Frame.....	1
	354 059 X1	12-05-100	Pin, Cotter.....	1
51	688 419 M1	D-PO-A817	Bolt, Eye, Chain to Arm.....	1
52	688 418 M1	D-PO-A816	Spring, Pickup.....	1
53	688 420 M1	D-PO-A818	Washer, Spring Retainer.....	1
54	195 307 M1	S-9753-C	Nut, Wing.....	1
55	688 417 M1	D-PO-A815-A	Arm, Pickup.....	1
56	353 573 X1	44-001-275	Bolt, Hex. Head, Spacer to Pickup Arm.....	1
	353 432 X1	44-14	Washer, Lock.....	1
	353 426 X1	44-003	Nut, Hex.....	1
57	688 424 M1	D-PO-A838	Spacer, Pickup Arm.....	1
58	688 425 M1	D-PO-A839	Roller, Pickup Arm.....	1
59	195 409 M1	S-10214-P	Pin, Clevis, Roller to Arm.....	1
	354 067 X1	16-05-112	Pin, Cotter (Not Illustrated).....	1

FIG. 2 PRESS WHEELS AND RELATED PARTS

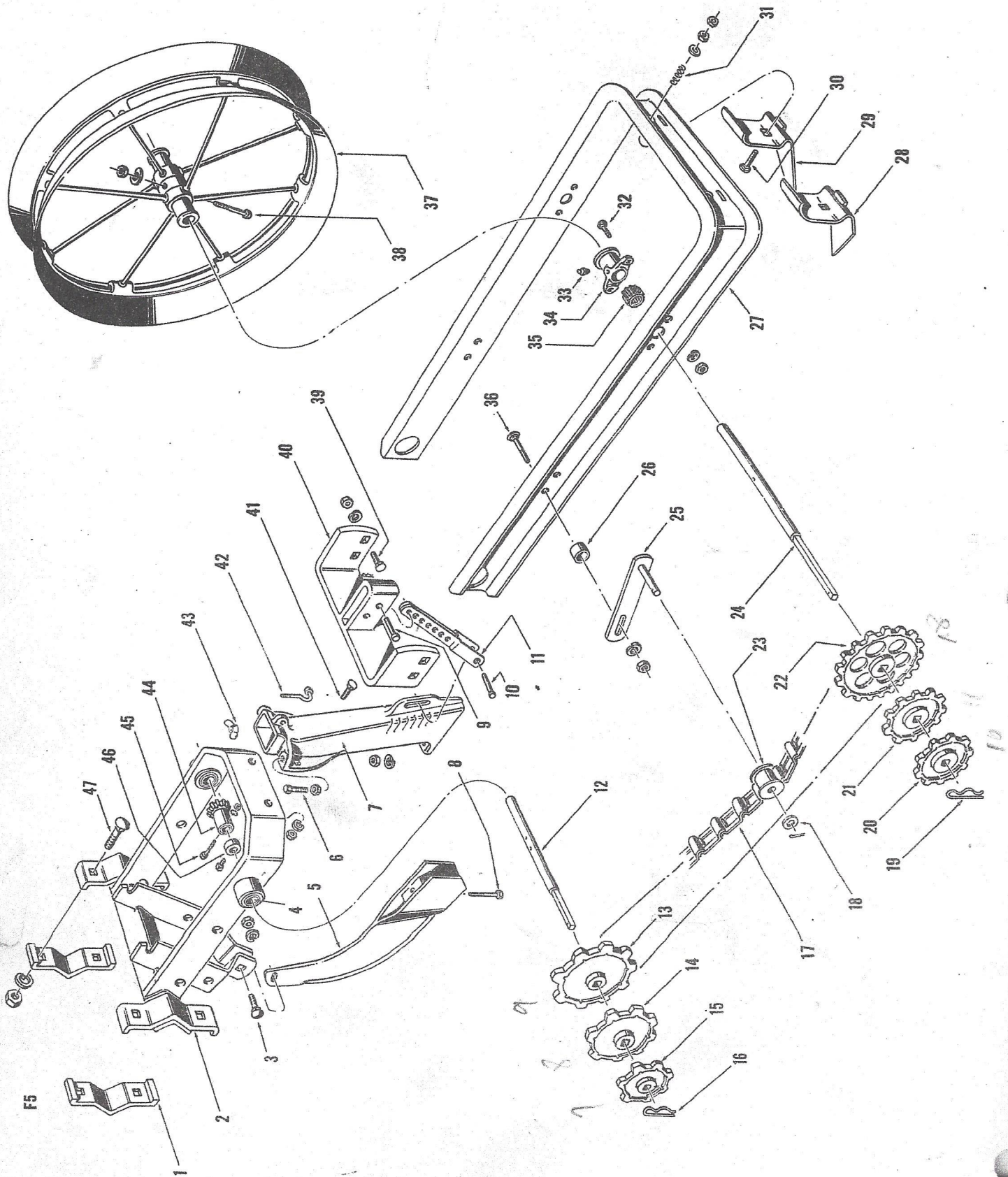


FIG. 2 PRESS WHEELS AND RELATED PARTS

Ref. No.	Part No.	Replaces	Description	No. Req.
1	688 349 M1	D-PO-A654-A	Clamp, Front Frame to Main Frame (Not required when Fertilizer Attachment is used).....	4
2	688 411 M91	D-PO-A650-A	Frame Assembly, Front (Inc. item 4).....	2
3	353 828 X1	44-011-125	Bolt, Carriage, Runner to Front Frame.....	2
	353 432 X1	44-14	Washer, Lock.....	2
	353 426 X1	44-003	Nut, Hex.....	2
4	GN 5 032	D-PO-A657	Bearing, Front Frame (shown in position).....	4
5	688 397 M91	D-PO-A100	Runner Assembly.....	2
6	353 700 X1	44-101-125	Screw, Cap, Boot Adjustment.....	4
	195 364 M1	S-34090	Nut, Hex., Adjustment.....	4
7	688 501 M1	D-PO-A3802	Boot, Seed.....	2
8	195 594 M1	S-9776-A	Bolt, Square Head, Boot to Runner.....	2
	353 432 X1	44-14	Washer, Lock.....	2
	353 426 X1	44-003	Nut, Hex.....	2
9	195 607 M1	S-10212-D	Pin, Clevis, Strap to Brace Assembly.....	2
	195 416 M1	S-10202-C	Pin, Internal Cotter Hair.....	2
10	195 609 M1	S-10212-F	Pin, Clevis, Strap to Boot.....	2
	354 057 X1	12-05-75	Pin, Cotter (Not Illustrated).....	2
11	688 504 M91	D-PO-A3816	Strap Assembly, Depth Adjusting.....	2
12	688 529 M1	D-PO-A7200	Shaft, Hopper Drive.....	2
13	688 248 M1	S-10308	Sprocket (9 Tooth).....	2
14	688 247 M1	S-10301	Sprocket (8 Tooth).....	2
15	688 246 M1	S-10307	Sprocket (7 Tooth).....	2
16	195 708 M1	S-10201	Pin, Internal Cotter Hair.....	2
17	L 32	S-9953-B	Link, Detachable Chain (sold by the foot).....	106
18	353 760 X1	62-104	Washer, Flat.....	2
	354 066 X1	16-05-100	Pin, Cotter.....	2
19	195 708 M1	S-10201	Pin, Internal Cotter Hair.....	2
20	688 249 M1	S-10309	Sprocket (10 Tooth).....	2
21	688 250 M1	S-10302	Sprocket (11 Tooth).....	2
22	688 254 M1	S-10311	Sprocket (18 Tooth).....	2
23	688 341 M1	D-PO-A6158	Idler, Chain.....	2
24	688 531 M1	D-PO-A7210	Shaft, Press Wheel Drive.....	2
25	688 338 M91	D-PO-A6155	Arm Assembly, Idler.....	2
26	688 478 M1	D-PO-A6159	Spacer, Idler Arm.....	2
27	688 540 M1	D-PO-A8000	Frame, Press Wheel.....	2
28	688 525 M1	D-PO-A6609	Scraper, Press Wheel, L.H.....	2
29	688 524 M1	D-PO-A6608	Scraper, Press Wheel, R.H.....	2
30	353 834 X1	44-011-200	Bolt, Carriage, Scraper to Frame to Spring.....	4
	353 772 X1	44-204	Washer, Flat.....	4
	353 428 X1	44-1003	Nut, Hex., Jam.....	8

FIG. 2 PRESS WHEELS AND RELATED PARTS

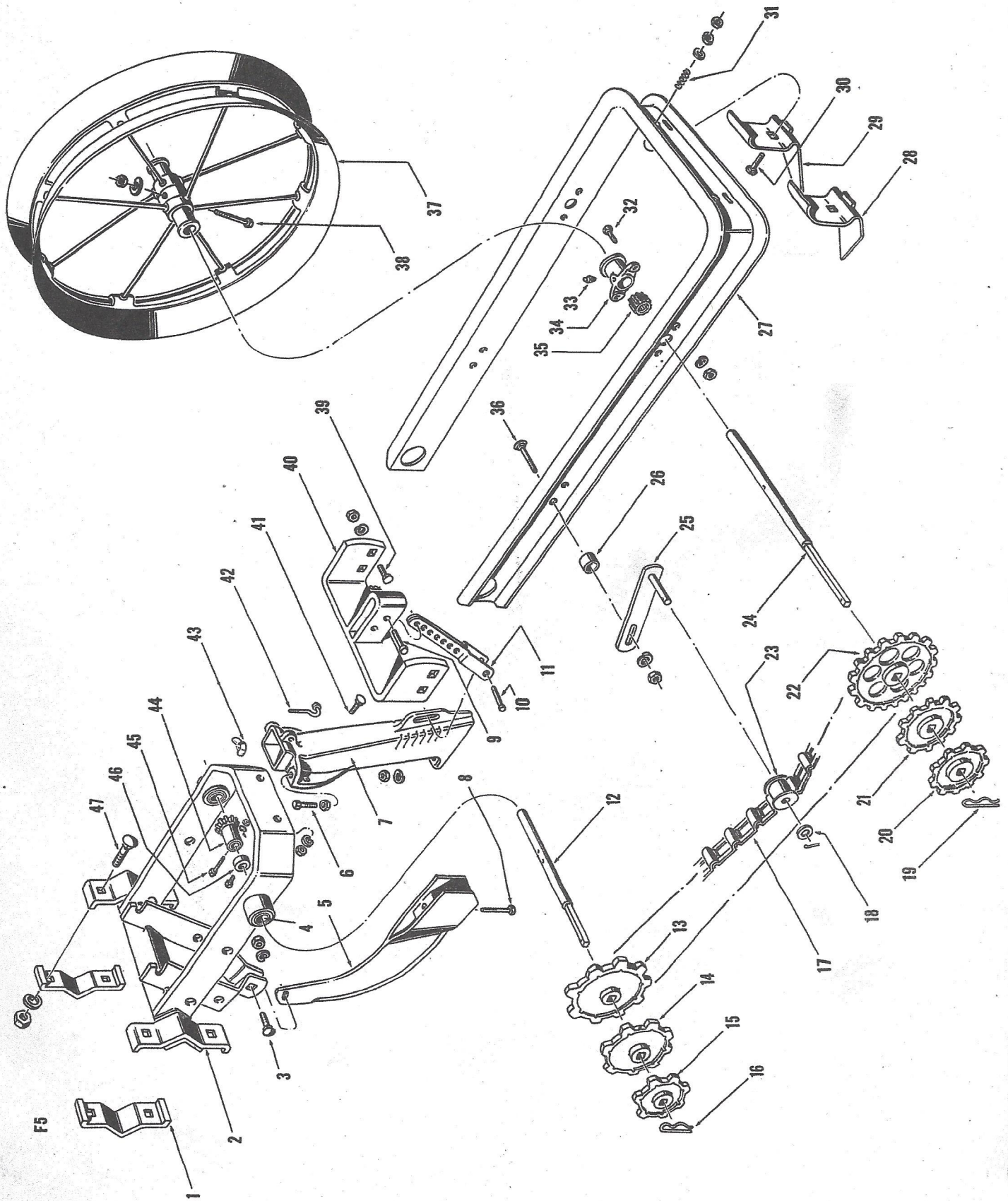


FIG. 2 PRESS WHEELS AND RELATED PARTS - Continued

Ref. No.	Part No.	Replaces	Description	No. Req.
31	688 479 M1	D-PO-A6607	Spring, Scraper.....	4
32	353 827 X1	44-011-112	Bolt, Carriage, Housing to Frame.....	8
	353 432 X1	44-14	Washer, Lock.....	8
	353 426 X1	44-003	Nut, Hex.....	8
33	13 222 X	12-107	Fitting, Lubrication.....	4
34	688 474 M1	D-PO-A5513	Housing, Bearing, Press Wheel.....	4
35	350 499 X1	S-9865	Bearing, Roller.....	4
36	353 836 X1	44-011-225	Bolt, Carriage, Idler Arm to Spacer to Frame.....	2
	353 432 X1	44-14	Washer, Lock.....	2
	353 426 X1	44-003	Nut, Hex.....	2
37	688 526 M1	D-PO-A6610	Wheel, Press, Large Dia. Hub.....	2
38	353 532 X1	31-001-262	Bolt, Hex. Head, Wheel to Shaft (use w/ Large Dia. Hub)..	2
	353 528 X1	31-001-212	Bolt, Hex. Head (use w/ Small Dia. Hub).....	2
	353 446 X1	31-14	Washer, Lock.....	2
	353 916 X1	31-003	Nut, Hex.....	2
39	353 827 X1	44-011-112	Bolt, Carriage, Brace Assembly to Frame.....	6
	353 432 X1	44-14	Washer, Lock.....	6
	353 426 X1	44-003	Nut, Hex.....	6
40	688 543 M91	D-PO-A8002	Brace Assembly, Press Wheel Frame.....	2
41	353 828 X1	44-011-125	Bolt, Carriage, Boot to Frame Assembly.....	4
	353 432 X1	44-14	Washer, Lock.....	4
	353 426 X1	44-003	Nut, Hex.....	4
42	688 500 M1	D-PO-A2504	Bolt, Locking, Hopper Bottom.....	2
43	195 307 M1	S-9753-C	Nut, Wing.....	2
44	688 563 M1	D-PO-A6101	Pinion, Hopper Drive, (up to Serial 3514).....	2
	688 477 M1	D-PO-A6104	Pinion, Hopper Drive (Serial 3514 and future - use with 688 475 M1 and 688 476 M1 page 15 Ref. 6).....	2
45	353 509 X1	25-001-150	Bolt, Hex. Head, Pinion to Drive Shaft.....	2
	353 441 X1	25-14	Washer, Lock.....	2
	353 918 X1	25-003	Nut, Hex.....	2
46	688 530 M1	D-PO-A7205	Collar, Hopper Drive Shaft.....	4
	195 692 M1	S-9705	Screw, Set.....	4
47	353 867 X1	62-011-250	Bolt, Carriage, Front Frame to Clamp.....	4
	353 433 X1	62-14	Washer, Lock.....	4
	353 427 X1	62-003	Nut, Hex.....	4

FIG. 3 SEED CAN AND RELATED PARTS

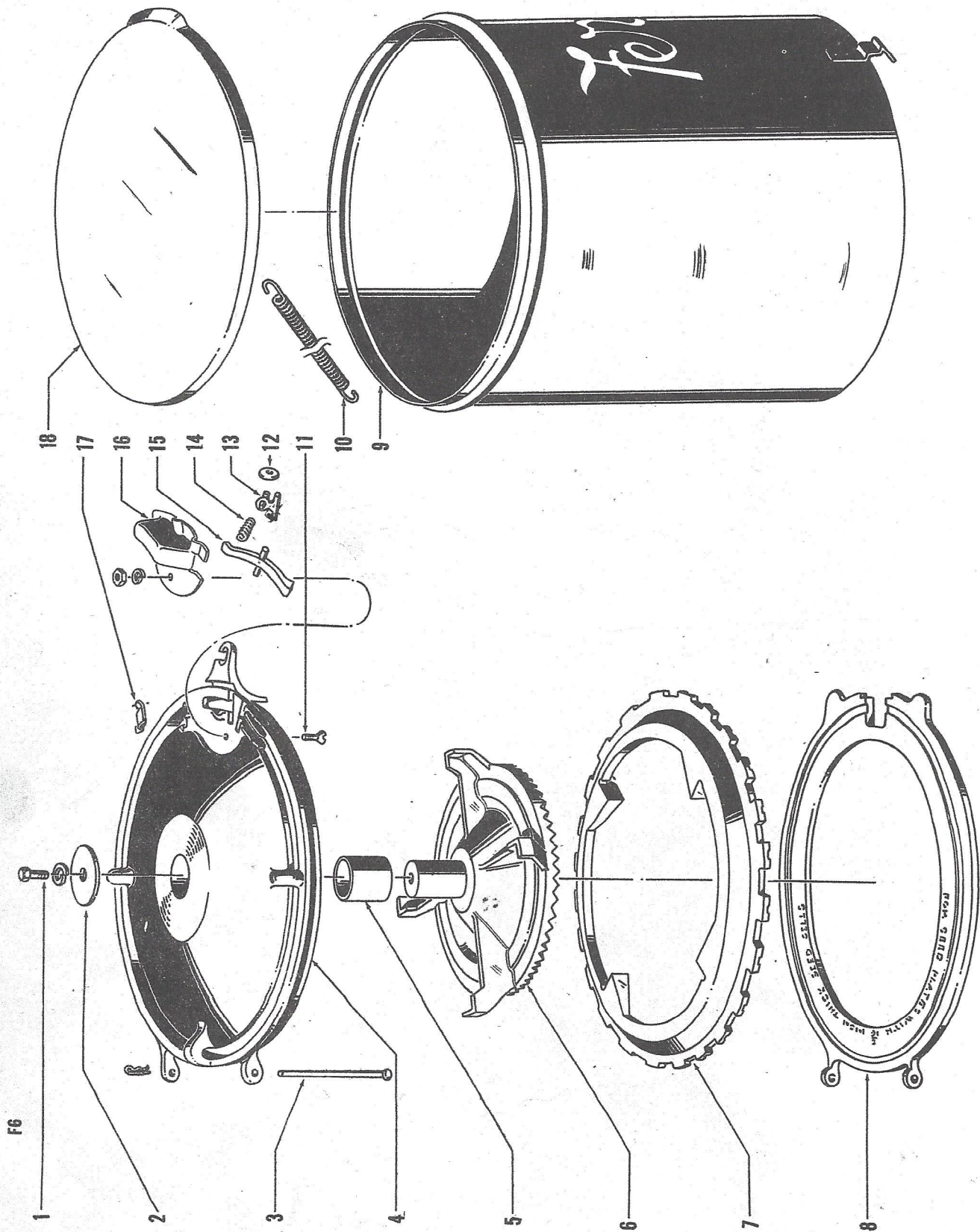


FIG. 3 SEED CAN AND RELATED PARTS

Ref. No.	Part No.	Replaces	Description	No. Req.
1	353 690 X1	38-101-88	Screw, Cap, Gear Retaining.....	1
	353 434 X1	38-14	Washer, Lock.....	2
2	688 444 M1	D-PO-A1827	Washer, Gear Retaining.....	2
3	688 562 M1	D-PO-A1895-A	Pin, Seed Can Hinge (Serial #1001 to 2001).....	2
	688 496 M1	D-PO-A1895	Pin, Seed Can Hinge (Serial #2001 and future).....	2
	195 416 M1	S-10202-C	Pin, Internal Cotter Hair.....	2
4	688 491 M91	D-PO-A1886	Bottom Assembly, Seed Can.....	2
5	688 493 M1	D-PO-A1888	Bushing, Seed Can Bottom.....	1
6	688 560 M91	D-PO-A98	Conversion Kit, Drive Gear (Up to Serial #3514) (Composed of 2 each of 688 475 M1, 688 476 M1, 688 477 M1 and 688 551 M1 - Service Bulletin 52-27).....	1
	688 475 M1	D-PO-A6102	Gear, Drive (Serial 3514 and future).....	2
	688 476 M1	D-PO-A6103	Pinion, Drive, Inner Gear (Serial #3514 and future).....	2
7	(A) 688 181 M1	D-PO-1863	Plate, Seed (See Note).....	2
	(A) 688 182 M1	D-PO-1864	Plate, Seed (See Note).....	2
	(A) 688 468 M1	D-PO-1865	Plate, Seed (See Note).....	2
8	(A) 688 445 M1	D-PO-A1828	Plate, False (5/16" Thick Seed Cells) (See Note).....	2
	(A) 688 446 M1	D-PO-A1829	Plate, False (1/4" Thick Seed Cells) (See Note).....	2
9	688 561 M91	D-PO-A1884	Can Assembly, Seed.....	2
	688 494 M1	D-PO-A1889	Clip, Seed Can to Seed Plate (shown out of position)....	1
	14 027 X	12-06-25	Rivet, Button Head, Clip to Can.....	2
10	688 229 M1	D-PO-7101	Spring, Lid.....	2
11	354 023 X1	25-102-62	Screw, Machine, Flat Head, Cap to Bottom.....	2
	353 441 X1	25-14	Washer, Lock.....	2
	354 121 X1	25-2103	Nut, Hex. Machine.....	2
12	688 172 M1	D-PO-1806	Roller, Knocker.....	2
13	688 441 M1	D-PO-1805	Knocker, Seed Can.....	2
14	688 228 M1	D-PO-7100	Spring, Cutoff and Knocker.....	2
15	688 171 M1	D-PO-1804-A	Cutoff, Seed Can.....	2
16	688 174 M1	D-PO-1808	Cap, Cutoff and Knocker.....	2
17	688 443 M1	D-PO-A1819	Gate, Seed Can Bottom.....	2
18	688 440 M91	D-PO-1802	Lid Assembly, Seed Can.....	2

Note: (A) - Regular Equipment, see pages 32, 33 and 34 for other sizes.

FIG. 4 FERTILIZER ATTACHMENT

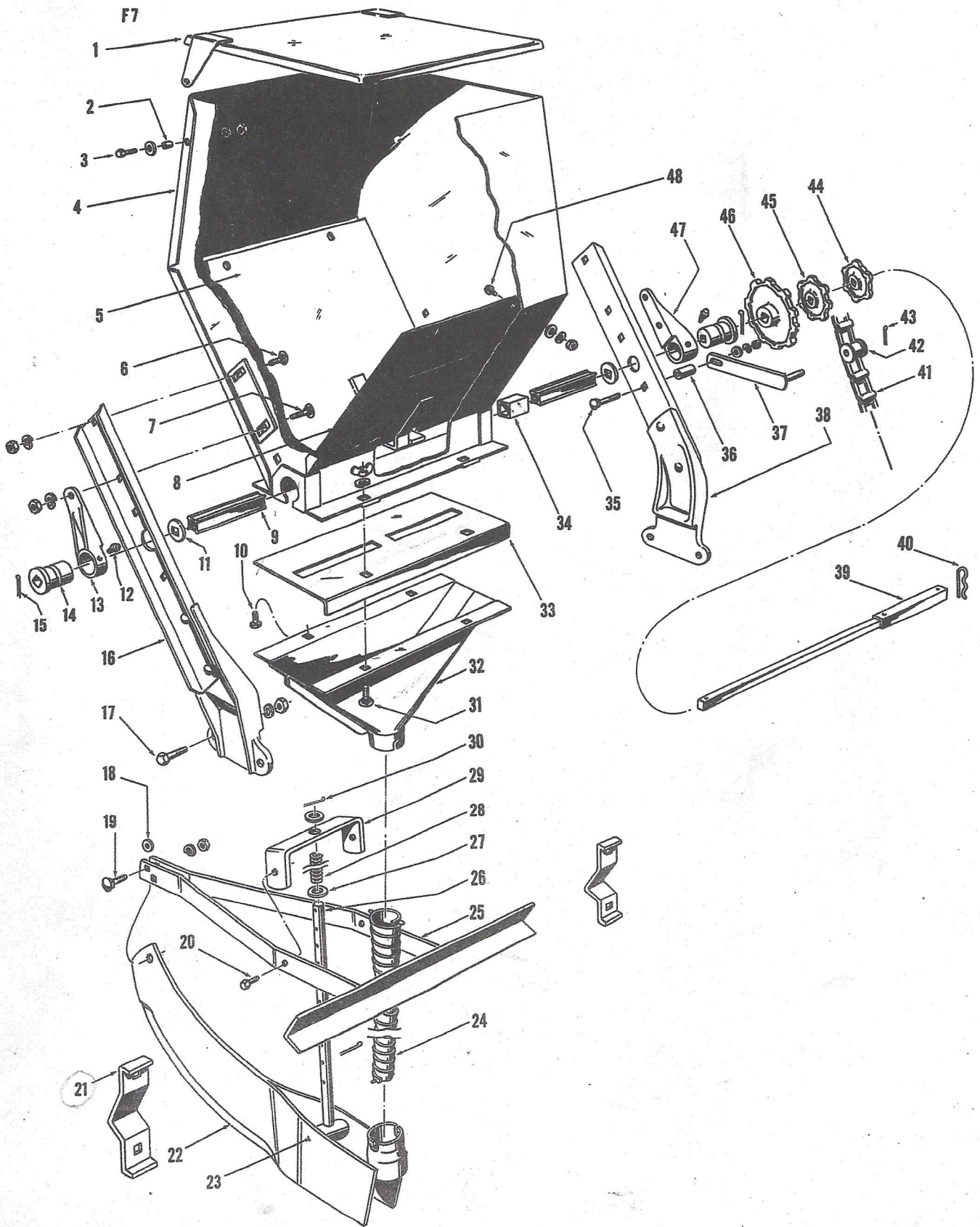


FIG. 4 FERTILIZER ATTACHMENT

Ref. No.	Part No.	Replaces	Description	No. Req.
1	688 124 M91	A-RO-2402	Lid Assembly, Hopper.....	2
2	480 190 M1	A-RO-5506	Bushing, Hopper Lid.....	4
3	353 518 X1	31-001-88	Bolt, Hex. Head, Lid to Bushing to Hopper.....	4
	353 755 X1	31-104	Washer, Flat.....	4
	353 446 X1	31-14	Washer, Lock.....	4
	353 916 X1	31-003	Nut, Hex.....	4
4	688 314 M91	A-RO-B2410	Hopper Assembly, Fertilizer.....	2
5	688 325 M91	A-RO-B2427	Agitator Assembly, Front.....	2
6	353 825 X1	44-011-88	Bolt, Carriage, Brackets to Hopper.....	2
	353 432 X1	44-14	Washer, Lock.....	2
	353 426 X1	44-003	Nut, Hex.....	2
7	353 827 X1	44-011-112	Bolt, Carriage, Bracket to Hopper.....	8
	353 432 X1	44-14	Washer, Lock.....	8
	353 426 X1	44-003	Nut, Hex.....	8
8	688 330 M91	A-RO-B2432	Agitator Assembly, Rear.....	2
9	688 345 M1	A-RO-B9308	Sleeve, Metering Shaft.....	4
10	353 516 X1	31-001-62	Bolt, Hex. Head, Funnel to Hopper.....	4
	353 446 X1	31-14	Washer, Lock (Not Illustrated).....	4
	353 916 X1	31-003	Nut, Hex. (Not Illustrated).....	4
11	688 344 M1	A-RO-B9307	Washer, Thrust.....	4
12	13 222 X	12-107	Fitting, Lubrication.....	4
13	688 337 M1	A-RO-B5505	Bearing, Hopper Bracket, L.H.....	2
14	688 335 M1	A-RO-B5503	Bearing, Metering Shaft.....	4
15	354 068 X1	16-05-125	Pin, Cotter.....	4
16	688 309 M91	A-RO-B823	Bracket Assembly, Hopper, L.H.....	2
17	353 563 X1	44-001-150	Bolt, Hex. Head, Hopper Bracket to Frame.....	8
	353 432 X1	44-14	Washer, Lock.....	8
	353 426 X1	44-003	Nut, Hex.....	8
18	688 293 M1	A-RO-B104	Spacer, Runner.....	2
19	353 828 X1	44-011-125	Bolt, Carriage, Bracket to Spacer to Runner.....	2
	353 432 X1	44-14	Washer, Lock.....	2
	353 426 X1	44-003	Nut, Hex.....	2
20	353 561 X1	44-001-125	Bolt, Hex. Head, Brace to Bracket Assembly.....	4
	353 432 X1	44-14	Washer, Lock (Not Illustrated).....	4
	353 426 X1	44-003	Nut, Hex. (Not Illustrated).....	4
21	688 304 M1	D-PO-A653-A	Clamp, Runner Bracket to Drawbar.....	4
22	688 299 M91	A-RO-B112	Runner Assembly (items 23 and 26 not included).....	2
23	29 164 X	31-16-212	Rivet, Countersunk Head, Rod to Runner.....	2
	688 332 M1	A-RO-B3807	Bushing, Depth Rod (shown in position).....	2
24	688 318 M91	A-RO-B2416	Tube Assembly, Flexible.....	2
25	688 298 M91	A-RO-B109	Bracket Assembly, Runner.....	2

FIG. 4 FERTILIZER ATTACHMENT

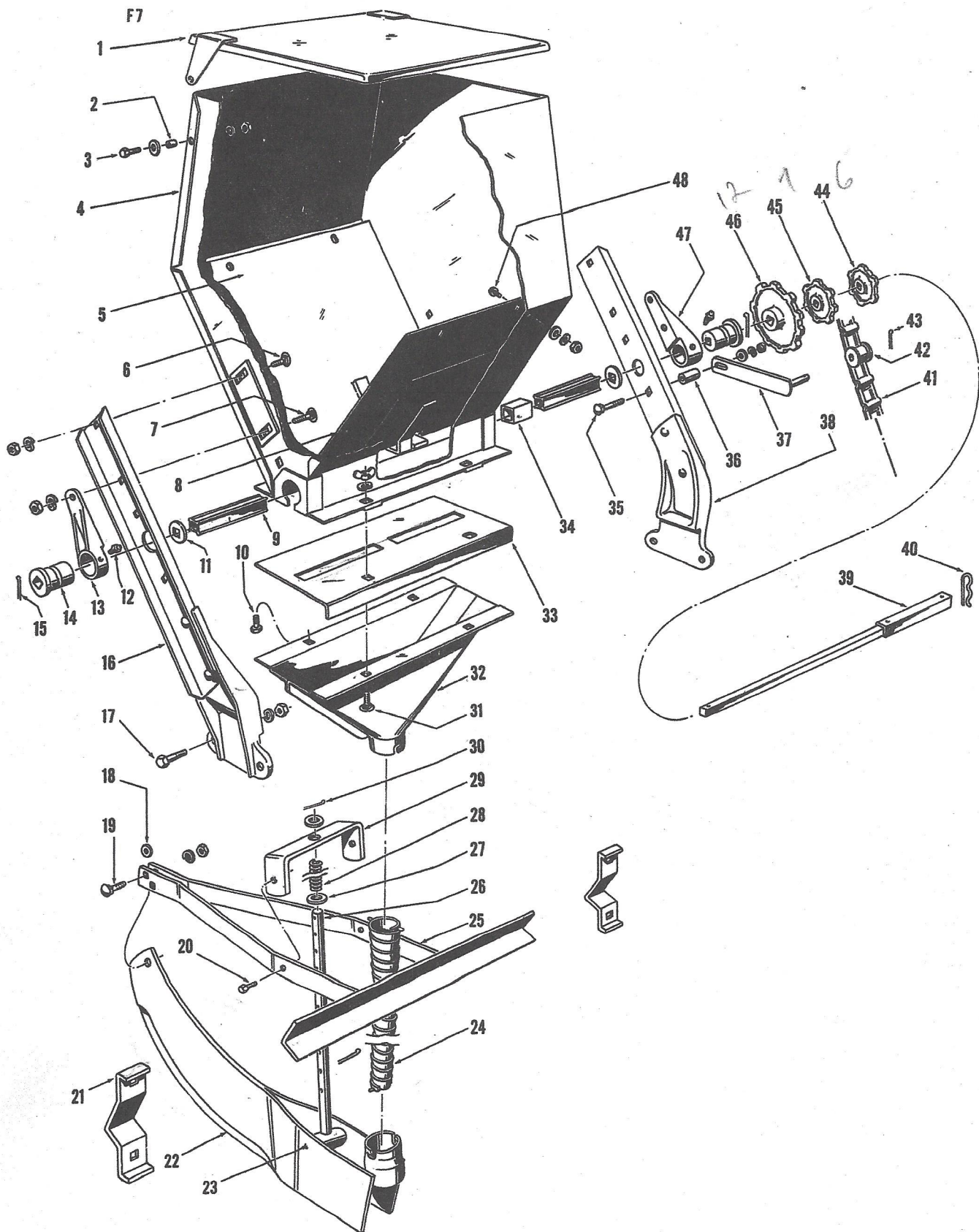


FIG. 4 FERTILIZER ATTACHMENT - Continued

Ref. No.	Part No.	Replaces	Description	No. Req.
26	688 331 M91	A-RO-B3803	Rod Assembly, Depth Adjustment.....	2
27	353 761 X1	69-104	Washer, Flat.....	4
28	688 342 M1	A-RO-B7100	Spring, Fertilizer Runner.....	2
29	688 297 M1	A-RO-B108	Brace, Runner Bracket.....	2
30	354 078 X1	19-05-125	Pin, Cotter.....	2
31	353 791 X1	31-011-62	Bolt, Carriage, Funnel and Plate to Hopper, Rear.....	4
	353 446 X1	31-14	Washer, Lock.....	4
	195 307 M1	S-9753-B	Nut, Wing.....	4
32	688 123 M91	A-RO-A2401	Funnel Assembly, Hopper.....	2
33	688 126 M1	A-RO-A2409	Plate, Metering.....	2
34	688 343 M1	A-RO-B9302	Cam, Agitator.....	2
35	353 839 X1	44-011-262	Bolt, Carriage, Idler Arm to Spacer to Frame.....	2
	353 772 X1	44-204	Washer, Flat.....	2
	353 432 X1	44-14	Washer, Lock.....	2
	353 426 X1	44-003	Nut, Hex.....	2
36	688 347 M1	A-RO-B9318	Spacer, Idler Arm.....	2
37	688 338 M91	D-PO-A6155	Arm Assembly, Idler.....	2
38	688 308 M91	A-RO-B822	Bracket Assembly, Hopper, R.H.....	2
39	688 346 M1	A-RO-B9310	Shaft, Metering.....	2
40	195 708 M1	S-10201	Pin, Internal Cotter Hair.....	2
41	L 32	S-9953-B	Link, Detachable Chain (sold by the foot).....	88
42	688 341 M1	D-PO-A6158	Idler, Chain.....	2
43	353 760 X1	62-104	Washer, Flat.....	2
	354 066 X1	16-05-100	Pin, Cotter.....	2
44	688 245 M1	S-10300	Sprocket (6 Tooth).....	2
45	688 246 M1	S-10307	Sprocket (7 Tooth).....	2
46	688 251 M1	S-10310	Sprocket (12 Tooth).....	2
47	688 336 M1	A-RO-B5504	Bearing, Hopper Bracket, R.H.....	2
48	353 995 X1	31-112-62	Screw, Machine, Round Head, Agitator to Hopper.....	8
	353 755 X1	31-104	Washer, Flat.....	8
	353 446 X1	31-14	Washer, Lock.....	8
	354 122 X1	31-2103	Nut, Hex., Machine.....	8
	688 257 M91	A-RO-A99	Fertilizer Attachment Kit (this kit used to convert the A-RO-A60 Fertilizer Attachment to the D-PO-A Planter Composed of items 17, 19, 20, 21, 25, 28, 29, 35, 36, 37, 40, 42, 44 and 45 and	
	353 759 X1	56-104	Washer, Flat, Depth Adjusting Rod.....	2
	688 254 M1	S-10311	Sprocket (18 Tooth).....	2

FIG. 5 MARKER, EXTENSION AND RELATED PARTS

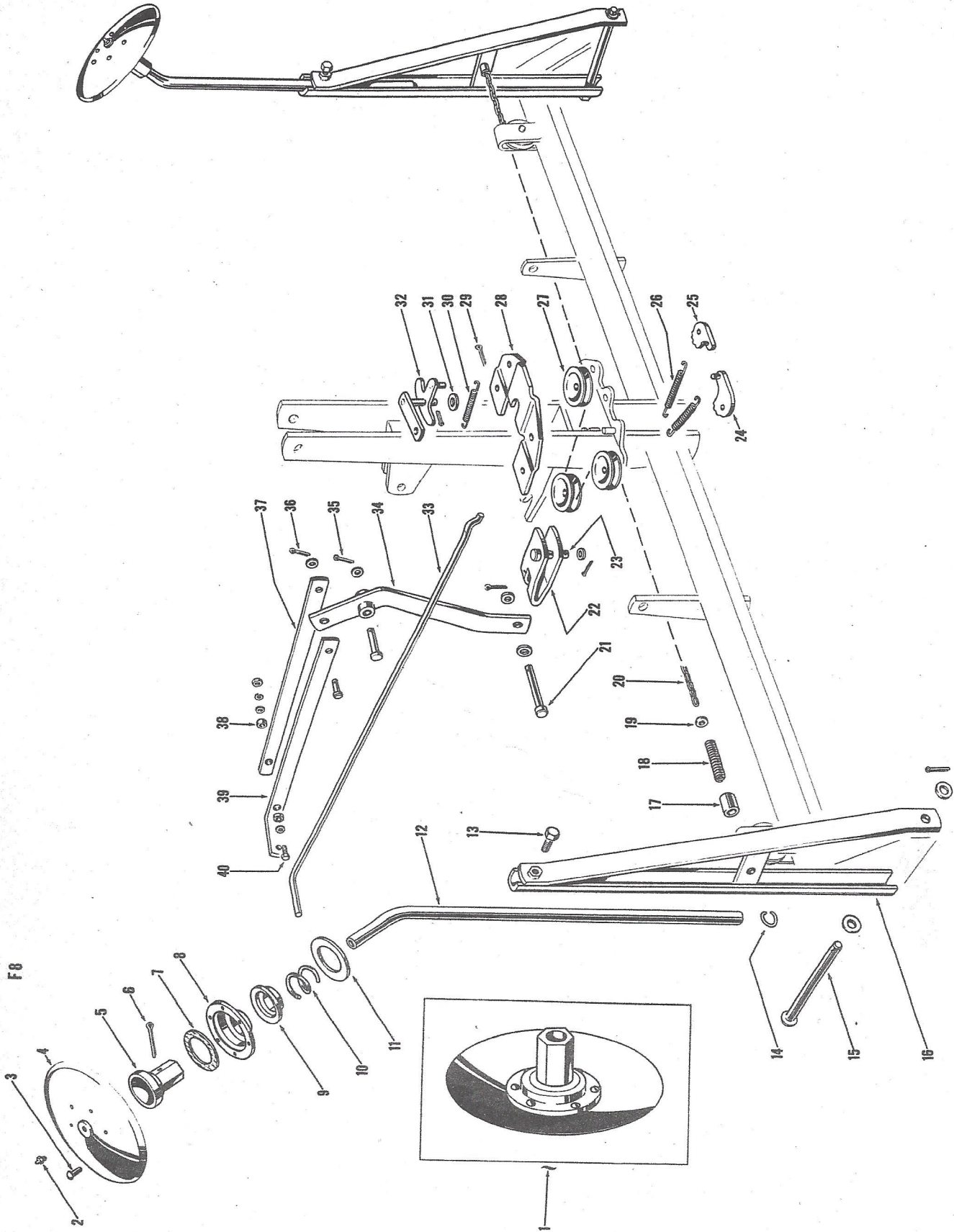


FIG. 5 MARKER, EXTENSION AND RELATED PARTS

Ref. No.	Part No.	Replaces	Description	No. Req.
1	688 402 M91	D-PO-201	Disc and Hub Assembly, Marker (Composed of items 3, 4, 5, 7 and 8).....	2
2	13 222 X	12-107	Fitting, Lubrication.....	2
3	2 990 X	25-06-75	Rivet, Button Head, Disc to Hub.....	12
4	688 148 M91	D-PO-202	Disc Assembly.....	2
	688 149 M1	D-PO-204	Bushing (shown in position).....	2
5	688 199 M1	D-PO-5502	Bearing, Disc.....	2
6	354 084 X1	19-05-225	Pin, Cotter, Extension to Bearing.....	2
7	688 197 M1	D-PO-5410	Gasket, Disc.....	2
8	688 404 M1	D-PO-210	Hub, Disc.....	2
9	688 150 M1	D-PO-205	Ring, Dust, Disc.....	2
10	688 236 M1	D-PO-7211	Spring, Dust Ring.....	2
11	688 151 M1	D-PO-206	Washer, Disc.....	2
12	688 557 M1	D-PO-3853	Tube, Extension, Disc and Hub Assembly.....	2
13	353 593 X1	50-001-125	Bolt, Hex. Head, Tube Adjustment.....	2
14	195 347 M1	S-9563	Ring, Locking, Marker Chain.....	2
15	688 165 M1	D-PO-832	Pin, Marker Pivot, Marker Bracket to Frame.....	2
	688 166 M1	D-PO-833	Spacer.....	2
	353 757 X1	44-104	Washer, Flat.....	2
	354 057 X1	12-05-75	Pin, Cotter.....	2
16	688 194 M91	D-PO-3850	Bracket Assembly, Marker.....	2
17	688 193 M1	D-PO-3849	Spacer, Marker Control Chain.....	2
18	688 233 M1	D-PO-7113	Spring, Marker Control Chain.....	2
19	353 757 X1	44-104	Washer, Flat, Marker Control Chain.....	2
20	688 200 M1	D-PO-5503	Chain, Marker Extension Control.....	1
21	195 400 M1	S-10214-E	Pin, Clevis, Marker Lever to Sheave Clevis.....	1
	353 758 X1	50-104	Washer, Flat.....	2
	354 057 X1	12-05-75	Pin, Cotter.....	1
22	688 160 M1	D-PO-821	Clevis, Sheave Retainer.....	1
23	195 397 M1	S-10214-B	Pin, Clevis, Sheave to Clevis (shown in position).....	1
	353 758 X1	50-104	Washer, Flat.....	1
	354 057 X1	12-05-75	Pin, Cotter.....	1
24	688 162 M91	D-PO-823	Cam Assembly, Selector, L.H. Marker.....	1
25	688 161 M91	D-PO-822	Cam Assembly, Selector, R.H. Marker.....	1
26	688 231 M1	D-PO-7111	Spring, Cam to Retainer Plate.....	2
27	688 217 M91	D-PO-6170	Sheave, Marker Selector.....	3
28	688 164 M1	D-PO-831	Cover, Marker Selector Sheave.....	1
29	354 057 X1	12-05-75	Pin, Cotter, Cam Pin and Sheave to Cover.....	4
30	688 232 M1	D-PO-7112	Spring, Cam to Retaining Pin.....	1
31	353 758 X1	50-104	Washer, Flat, Cam Release Retainer.....	1
	354 057 X1	12-05-75	Pin, Cotter.....	1
32	688 163 M91	D-PO-826-1	Release Assembly, Cam.....	1
33	688 167 M1	D-PO-834-A	Rod, Marker Release.....	1
34	688 159 M91	D-PO-815	Lever, Marker, Lever Link to Frame to Clevis.....	1
35	195 398 M1	S-10214-C	Pin, Clevis, Lever to Frame.....	1
	353 758 X1	50-104	Washer, Flat.....	1
	354 057 X1	12-05-75	Pin, Cotter.....	1
36	195 397 M1	S-10214-B	Pin, Clevis, Lever to Link to Lever.....	1
	353 758 X1	50-104	Washer, Flat.....	1
	354 057 X1	12-05-75	Pin, Cotter.....	1
37	688 157 M1	D-PO-813	Link, Marker Lever, Link and Ball Assembly to Lever.....	1
38	688 558 M1	D-PO-5512	Bushing.....	2
39	688 158 M1	D-PO-814	Link, Marker, Lever.....	1
40	353 595 X1	50-001-150	Bolt, Hex. Head, Lever Link to Link and Ball Assembly.....	1
	353 758 X1	50-104	Washer, Flat.....	2
	353 439 X1	50-14	Washer, Lock.....	1
	353 437 X1	50-003	Nut, Hex.....	1

FIG. 6 PRESS WHEEL AND RELATED PARTS

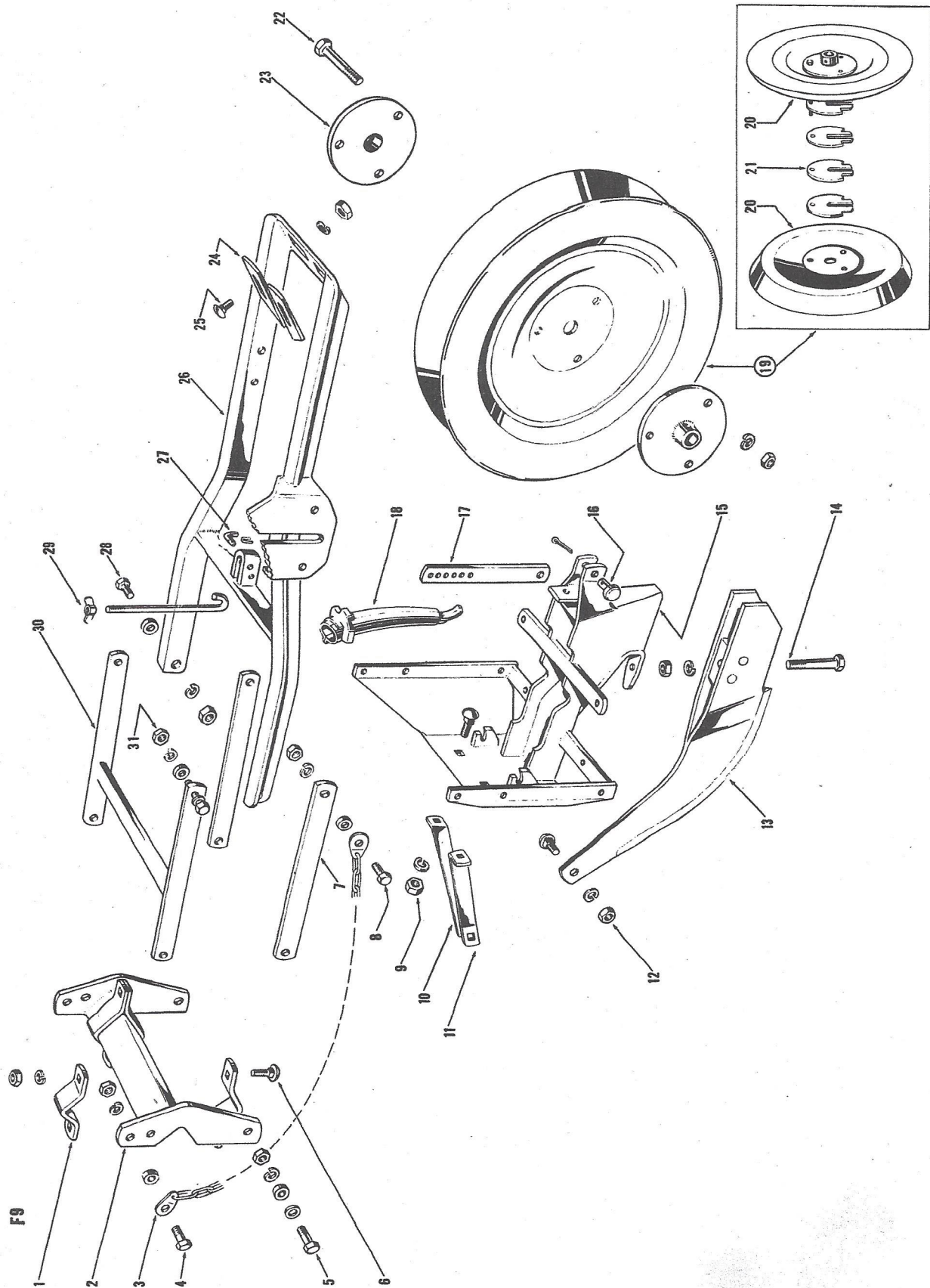
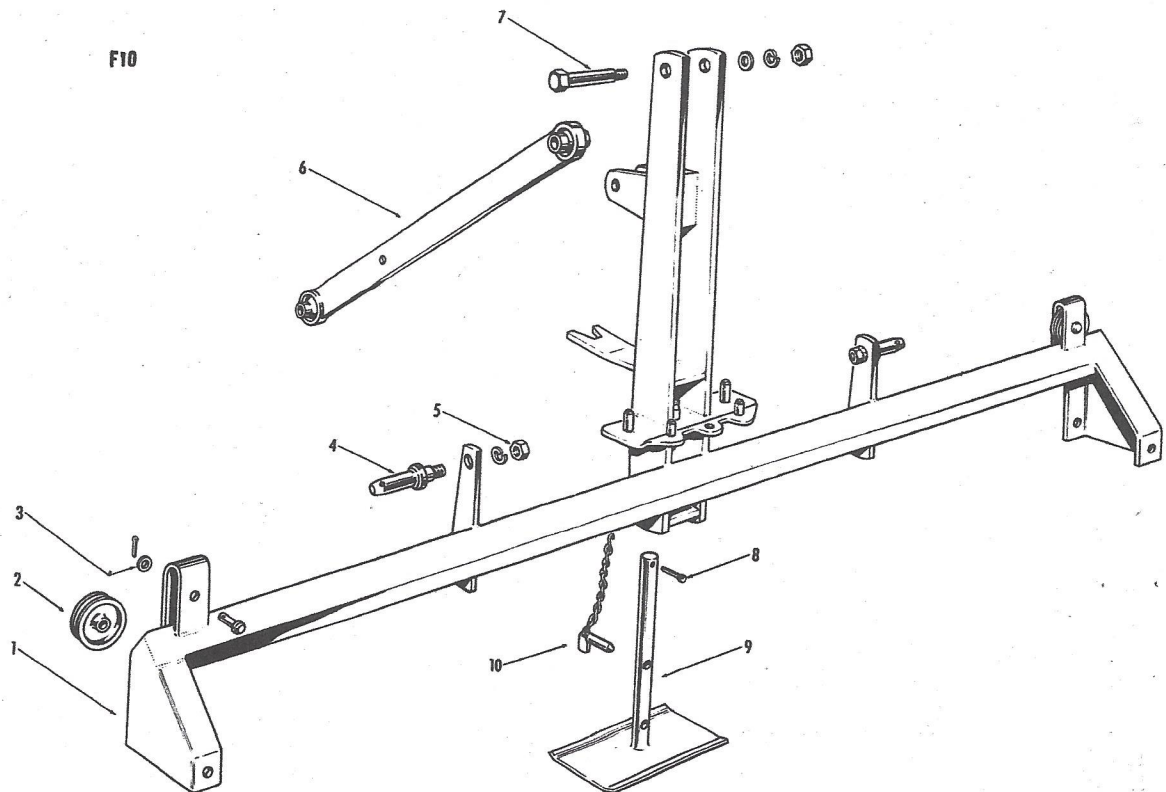


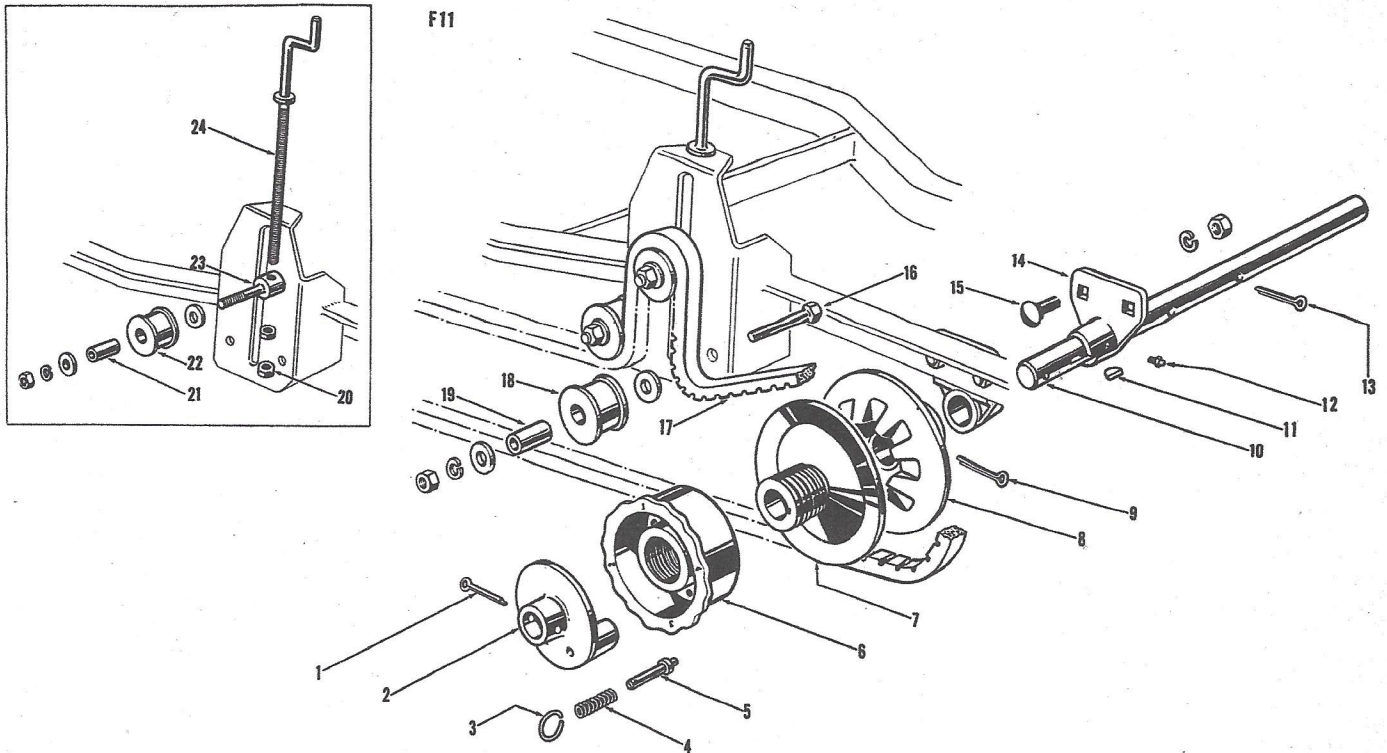
FIG. 6 PRESS WHEEL AND RELATED PARTS

Ref. No.	Part No.	Replaces	Description	No. Req.
1	688 153 M1	D-PO-653	Clamp, Front Frame to Main Frame.....	8
2	688 152 M1	D-PO-650	Bracket Assembly, Front Frame.....	2
3	688 170 M91	D-PO-1500	Clip and Chain Assembly, Drawbar to Boot.....	4
4	353 593 X1	50-001-125	Bolt, Hex. Head, Clip to Drawbar Bracket.....	4
	688 201 M1	D-PO-5510	Bushing.....	4
	353 439 X1	50-14	Washer, Lock.....	4
	353 437 X1	50-003	Nut, Hex.....	4
	353 593 X1	50-001-125	Bolt, Hex. Head, Lower Link to Drawbar Bracket.....	4
5	353 758 X1	50-104	Washer, Flat.....	4
	688 201 M1	D-PO-5510	Bushing.....	4
	353 439 X1	50-14	Washer, Lock.....	4
6	353 437 X1	50-003	Nut, Hex.....	4
	353 830 X1	44-011-150	Bolt, Carriage, Clamp to Drawbar Bracket to Frame.....	8
	353 432 X1	44-14	Washer, Lock.....	8
7	353 426 X1	44-003	Nut, Hex.....	8
	688 155 M1	D-PO-801	Link, Lower, Front to Rear Drawbar Bracket.....	4
	353 593 X1	50-001-125	Bolt, Hex. Head, Clip to Lower Link.....	4
8	688 201 M1	D-PO-5510	Bushing.....	4
	353 439 X1	50-14	Washer, Lock.....	4
	353 437 X1	50-003	Nut, Hex.....	4
9	353 826 X1	44-011-100	Bolt, Carriage, Brace to Boot and Bracket Assembly.....	4
	353 432 X1	44-14	Washer, Lock.....	4
	353 426 X1	44-003	Nut, Hex.....	4
10	688 189 M1	D-PO-3812	Brace, R. H. Furrow Opener.....	2
11	688 190 M1	D-PO-3813	Brace, L.H. Furrow Opener.....	2
12	353 827 X1	44-011-112	Bolt, Carriage, Brace to Runner Assembly.....	2
	353 432 X1	44-14	Washer, Lock.....	2
	353 426 X1	44-003	Nut, Hex.....	2
13	688 146 M91	D-PO-100-A	Runner Assembly.....	2
	353 601 X1	50-001-325	Bolt, Hex. Head, Boot to Runner Assembly.....	2
	353 439 X1	50-14	Washer, Lock.....	2
14	353 437 X1	50-003	Nut, Hex.....	2
	688 188 M91	D-PO-3800-A	Boot and Bracket Assembly.....	2
	195 402 M1	50-15-112	Pin, Clevis, Depth Adjusting Bar to Boot.....	2
16	354 058 X1	12-05-88	Pin, Cotter.....	2
	688 192 M1	D-PO-3816	Bar, Depth Adjustment.....	2
18	688 185 M91	D-PO-1900	Channel Assembly, Hopper to Boot.....	2
19			Wheel Assembly, Press (Not serviced order details)(composed of items 20 thru 23).....	2
20	688 221 M91	D-PO-6610	Wheel Assembly, Press, Half.....	2
21	688 220 M1	D-PO-6604	Spacer, Wheel.....	10
	353 603 X1	50-001-388	Bolt, Hex. Head, Hub to Wheel to Spacer.....	3
	353 439 X1	50-14	Washer, Lock.....	3
22	353 437 X1	50-003	Nut, Hex.....	3
	688 218 M91	D-PO-6602	Hub Assembly, R.H., Press Wheel.....	1
	688 219 M91	D-PO-6603	Hub Assembly, L.H., Press Wheel.....	1
24	688 559 M1	D-PO-6608	Scraper, Press Wheel.....	4
	353 826 X1	44-011-100	Bolt, Carriage, Scraper to Frame.....	4
	353 432 X1	44-14	Washer, Lock.....	4
25	353 426 X1	44-003	Nut, Hex.....	4
	688 240 M91	D-PO-8000-A	Frame Assembly, Press Wheel.....	2
	688 191 M1	D-PO-3814	Pin, Depth Adjustment Bar.....	2
27	688 242 M1	D-PO-9665	Pin, Internal Cotter Hair.....	2
	353 593 X1	50-001-125	Bolt, Hex. Head, Frame to Boot.....	4
	688 201 M1	D-PO-5510	Bushing.....	4
28	353 439 X1	50-14	Washer, Lock.....	4
	353 437 X1	50-003	Nut, Hex.....	4
	688 187 M1	D-PO-2504	Bolt, Locking, Seed Can.....	2
29	195 307 M1	S-9753-C	Nut, Wing.....	2
	688 154 M91	D-PO-800	Link Assembly, Upper Drawbar Bracket to Boot.....	2
30	353 593 X1	50-001-125	Bolt, Hex. Head, Link Assembly to Boot.....	4
	353 758 X1	50-104	Washer, Flat.....	4
	688 201 M1	D-PO-5510	Bushing.....	4
31	353 439 X1	50-14	Washer, Lock.....	4
	353 437 X1	50-003	Nut, Hex.....	4

FIG. 7 FRAME AND RELATED PARTS

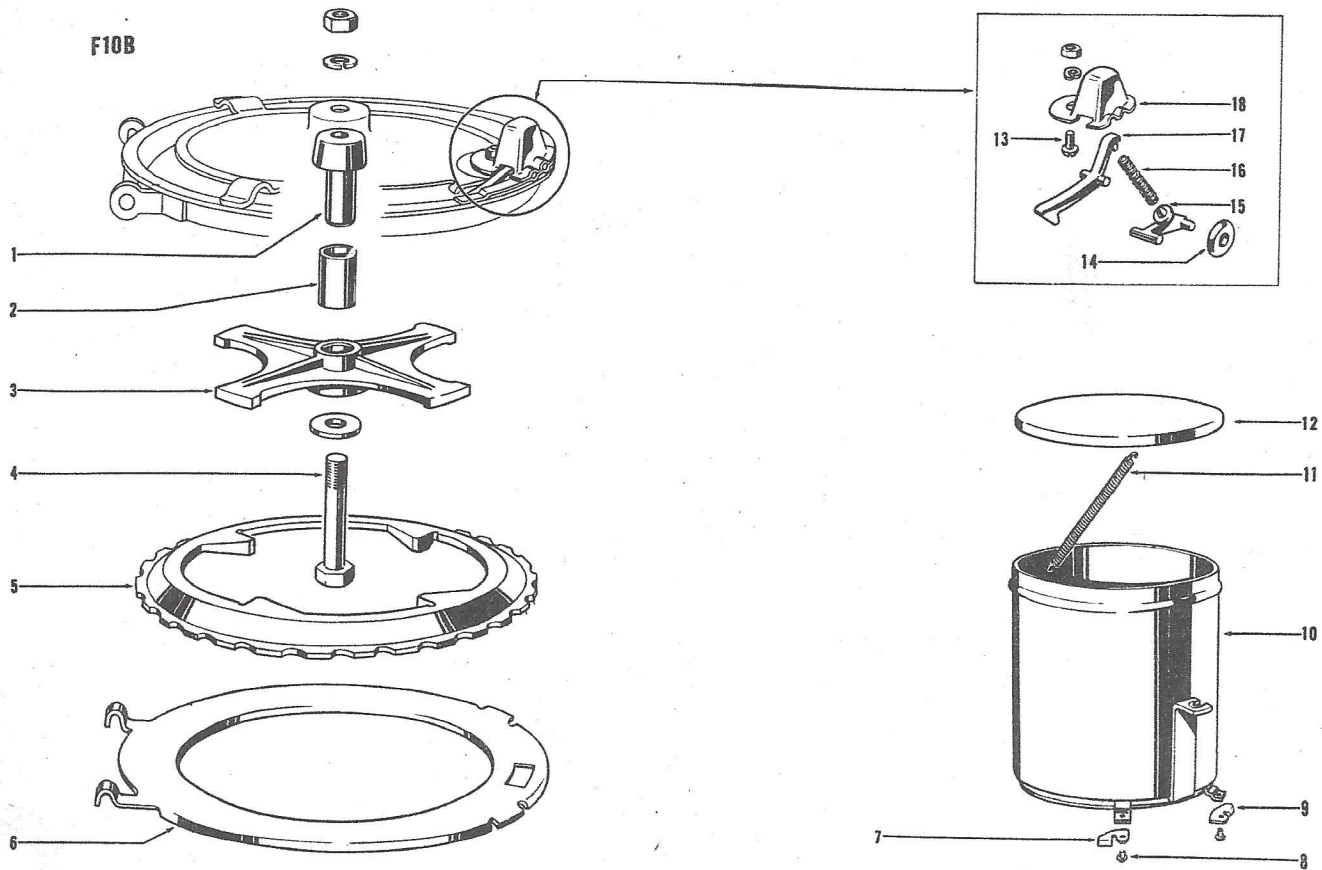


Ref. No.	Part No.	Replaces	Description	No. Req.
1	688 237 M91	D-PO-7800	Frame Assembly.....	1
2	688 217 M91	D-PO-6170	Sheave Assembly, Marker Chain.....	2
3	195 397 M1	S-10214-B	Pin, Clevis, Sheave to Frame.....	2
	353 758 X1	50-104	Washer, Flat.....	2
	354 057 X1	12-05-75	Pin, Cotter.....	2
4	688 169 M1	D-PO-955	Pin, Link, Strut to Lower Linkage.....	2
5	353 433 X1	62-14	Washer, Lock.....	2
	353 427 X1	62-003	Nut, Hex.....	2
6	688 156 M91	D-PO-810	Link and Ball Assembly, Frame to Rocker, Hyd. Lift.....	1
7	688 168 M1	D-PO-954	Bolt, Top Link to Frame.....	1
	353 758 X1	50-104	Washer, Flat.....	1
	353 439 X1	50-14	Washer, Lock.....	1
	353 437 X1	50-003	Nut, Hex.....	1
8	354 077 X1	19-05-112	Pin, Cotter, Stand Assembly Retainer.....	1
9	688 238 M91	D-PO-7840-A	Stand Assembly, Frame Support.....	1
10	688 239 M91	D-PO-7843-A	Pin and Chain Assembly, Stand Adjustment.....	1



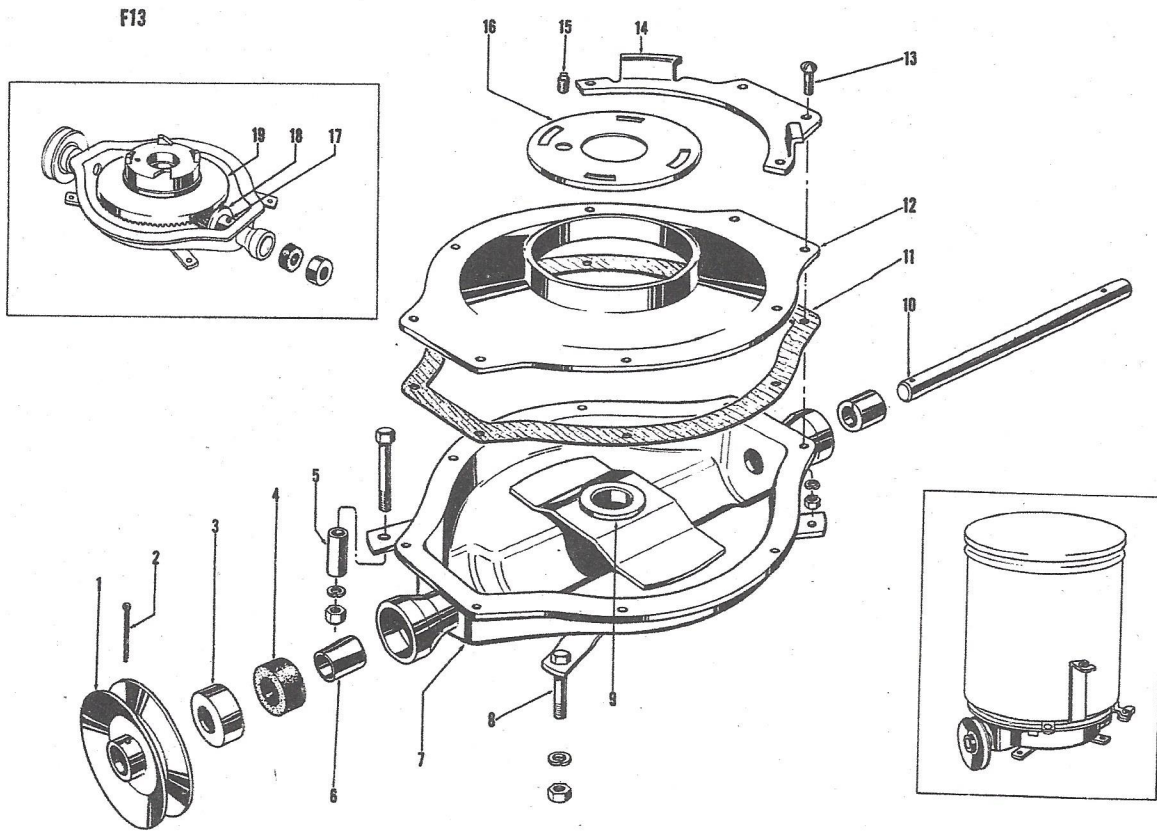
Ref. No.	Part No.	Replaces	Description	No. Req.
			Sheave Assembly, Adjustable (Not serviced as an Assembly) (Composed of items 1 thru 11).....	2
1	354 082 X1	19-05-188	Pin, Cotter, Index Plate to Press Wheel Shaft.....	1
2	688 212 M1	D-PO-6164	Plate, Index, Fixed.....	1
3	688 214 M1	D-PO-6166	Ring, Pull, Index Pin.....	1
4	688 230 M1	D-PO-7110	Spring, Index Pin.....	1
5	688 213 M1	D-PO-6165	Pin, Index Selector.....	1
6	688 211 M1	D-PO-6163	Dial, Hub Index, Numbered.....	1
7	688 210 M1	D-PO-6162	Sheave, L.H., Adjustable, Drive.....	1
8	688 209 M1	D-PO-6161	Sheave, R.H., Adjustable, Drive.....	1
9	354 082 X1	19-05-188	Pin, Cotter, R.H. Sheave to Shaft.....	1
10	688 235 M1	D-PO-7210	Shaft, Press Wheel Drive.....	1
11	688 215 M1	D-PO-6167	Key, Woodruff, L.H. Sheave to Shaft.....	1
12	13 811 X	25-007	Fitting, Lubrication, Bearing Bracket.....	2
13	354 083 X1	19-05-200	Pin, Cotter, L.H. Press Wheel Hub to Shaft.....	2
14	688 256 M1	D-PO-5516	Bracket, Shaft, R.H.....	2
	688 203 M1	D-PO-5517	Bracket, Shaft, L.H.....	2
15	353 827 X1	44-011-112	Bolt, Carriage, Bearing Bracket to Frame.....	8
	353 432 X1	44-14	Washer, Lock.....	8
	353 426 X1	44-003	Nut, Hex.....	8
16	353 600 X1	50-001-225	Bolt, Hex. Head, Belt Roller to Bracket.....	4
	353 758 X1	50-104	Washer, Flat.....	8
	353 439 X1	50-14	Washer, Lock.....	4
	353 437 X1	50-003	Nut, Hex.....	4
17	688 553 M1	D-PO-1400	V-Belt, Drive.....	2
18	688 216 M1	D-PO-6168-A	Roller, Belt.....	4
19	688 202 M1	D-PO-5511-A	Bearing, Belt Roller.....	4
20	688 243 M1	D-PO-9671	Nut, Belt Adjustment Crank.....	4
21	688 202 M1	D-PO-5511-A	Bearing, Belt Roller.....	2
22	688 216 M1	D-PO-6168-A	Roller, Belt.....	2
23	688 241 M1	D-PO-8010-A	Bolt, Belt Adjusting.....	2
	353 758 X1	50-104	Washer, Flat.....	4
	353 439 X1	50-14	Washer, Lock.....	2
	353 437 X1	50-003	Nut, Hex.....	2
24	688 208 M91	D-PO-6152	Crank Assembly, Belt Adjustment.....	2

FIG. 9 SEED CAN AND RELATED PARTS



Ref. No.	Part No.	Replaces	Description	No. Req.
1	688 177 M1	D-PO-1824	Pin, Centering Unit for Seed Can and Drive Plate.....	2
2	688 178 M1	D-PO-1825	Bearing, Drive Plate.....	2
3	688 173 M91	D-PO-1807	Plate and Bearing Assembly, Seed Can (Inc. item 2).....	2
4	353 573 X1	44-001-275	Bolt, Hex. Head, Hopper Drive Plate to Bottom.....	2
	688 179 M1	D-PO-1827	Washer, Drive Plate.....	2
	353 432 X1	44-14	Washer, Lock.....	2
5	353 426 X1	44-003	Nut, Hex.....	2
	688 454 M1	D-PO-1830	Plate, Seed (For Optional Plates see pages 32, 33 and 34).	2
6	688 176 M1	D-PO-1820	Plate, False (For Optional Plates see pages 32, 33 and 34)	2
7	688 184 M1	D-PO-1888	Wedge, L.H., Hopper to False Plate.....	2
8	16 894 X	19-06-50	Rivet, Button Head, Wedge to Seed Can.....	4
9	688 183 M1	D-PO-1887	Wedge, R.H. Hopper to False Plate.....	2
10	688 175 M91	D-PO-1809	Can and Bracket Assembly (composed of items 7, 8 and 9)...	2
11	688 229 M1	D-PO-7101	Spring, Lid Retainer.....	2
12	688 440 M91	D-PO-1802	Lid Assembly.....	2
13	353 988 X1	25-112-50	Screw, Machine, Round Head, Cutoff and Knocker Cap to Hopper Bottom.....	2
	353 441 X1	25-14	Washer, Lock.....	2
	354 121 X1	25-2103	Nut, Hex. Machine.....	2
14	688 172 M1	D-PO-1806	Roller, Knocker.....	2
15	688 441 M1	D-PO-1805	Knocker, Seed Can.....	2
16	688 228 M1	D-PO-7100	Spring, Cutoff and Knocker.....	2
17	688 171 M1	D-PO-1804-A	Cutoff, Seed Can.....	2
18	688 174 M1	D-PO-1808	Cap, Cutoff and Knocker.....	2

FIG. 10 GEAR CASE ASSEMBLY AND RELATED PARTS



Ref. No.	Part No.	Replaces	Description	No. Req.
1	688 206 M1	D-PO-6150	Sheave, Driven (3" used w/ 6" to 16" Seed Plate) (Optional).	x
	688 207 M1	D-PO-6151	Sheave, Driven (2-1/4" used w/ 6" to 12" Seed Plate) (Optional).....	
2	354 080 X1	19-05-150	Pin, Cotter, Sheave to Shaft.....	2
3	688 226 M1	D-PO-6809	Plug, Retainer, Felt Washer.....	4
4	688 195 M1	D-PO-5300	Washer, Felt, Bearing Housing.....	4
5	353 526 X1	31-001-188	Bolt, Hex. Head, Gear Housing to Boot.....	2
	688 227 M1	D-PO-6811	Spacer, Gear Case to Frame.....	
	353 446 X1	31-14	Washer, Lock.....	2
	353 916 X1	31-003	Nut, Hex.....	2
6	688 198 M1	D-PO-5500	Bushing, Split.....	4
7	688 222 M91	D-PO-6801-A	Gear Case Assembly, Bottom (Inc. item 9).....	2
8	353 518 X1	31-001-88	Bolt, Hex. Head, Gear Housing to Boot.....	4
	353 446 X1	31-14	Washer, Lock.....	
	353 916 X1	31-003	Nut, Hex.....	4
9	688 224 M1	D-PO-6807	Bushing, Guide Plate (shown in position).....	2
10	688 234 M1	D-PO-7200	Shaft, Drill, Hopper Gear Case.....	2
11	688 196 M1	D-PO-5400	Gasket, Gear Case.....	2
12	688 223 M1	D-PO-6806	Top, Gear Case.....	2
13	353 982 X1	19-112-62	Screw, Machine, Round Head, Guide Plate to Top to Case.....	16
	353 445 X1	19-14	Washer, Lock.....	
	354 120 X1	19-2103	Nut, Hex. Machine.....	16
14	688 186 M1	D-PO-2502	Plate, Guide, Hopper Locating.....	4
15	688 244 M1	D-PO-9730	Plug, Pipe, Gear Case Cap.....	2
16	688 225 M1	D-PO-6808-A	Cap, Gear Case.....	2
17	354 080 X1	19-05-150	Pin, Cotter, Shaft to Pinion.....	2
18	688 205 M1	D-PO-6101	Pinion, Drill Shaft.....	2
19	688 204 M1	D-PO-6100-A	Gear, Bevel, Drive, Corn Hopper.....	2

Note: x - in Right Hand Column - As Required.

FIG. 11 FERTILIZER ATTACHMENT

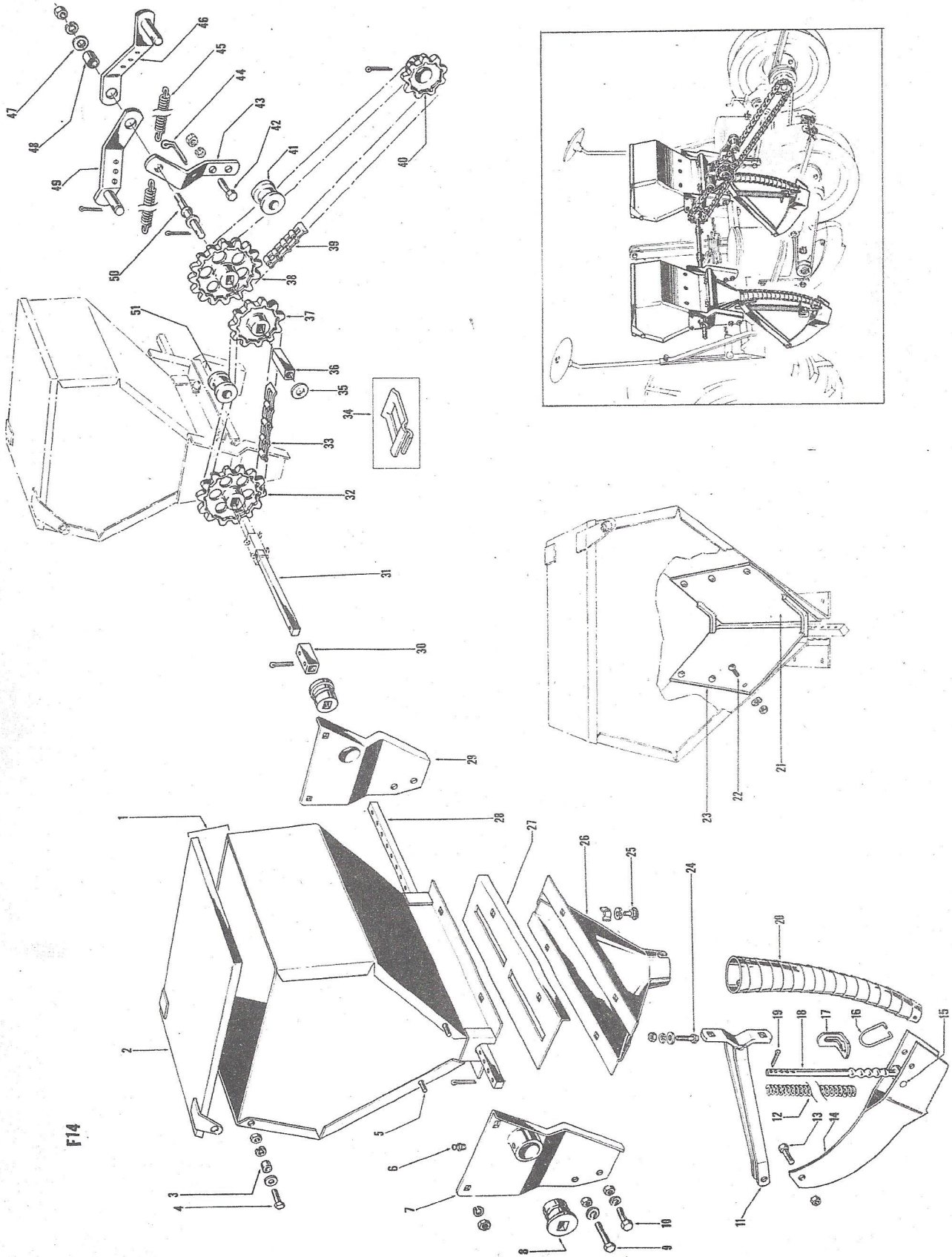


FIG. 11 FERTILIZER ATTACHMENT

Ref. No.	Part No.	Replaces	Description	No. Req.
1	688 125 M91	A-RO-A2403	Hopper and Lid Assembly.....	2
2	688 124 M91	A-RO-2402	Lid Assembly, Hopper.....	1
3	480 190 M1	A-RO-5506	Bushing, Hopper Lid.....	2
4	353 519 X1	31-001-100	Bolt, Hex. Head, Lid to Bushing to Hopper.....	2
	353 755 X1	31-104	Washer, Flat.....	2
	353 446 X1	31-14	Washer, Lock.....	2
	353 916 X1	31-003	Nut, Hex.....	2
5	353 995 X1	31-112-62	Screw, Machine, Round Head, Brackets to Hopper (shown in position).....	8
	353 446 X1	31-14	Washer, Lock.....	8
	354 122 X1	31-2103	Nut, Hex. Machine.....	8
6	13 222 X	12-107	Fitting, Lubrication.....	4
7	688 121 M91	A-RO-A823	Bracket Assembly, Hopper, L.H.....	2
8	688 132 M1	A-RO-A5503	Bearing, Metering Shaft.....	4
9	353 597 X1	50-001-175	Bolt, Hex. Head, Hopper Bracket to Frame.....	4
	353 773 X1	50-204	Washer, Flat (Use on R.H. Bracket).....	4
	353 439 X1	50-14	Washer, Lock.....	4
	353 437 X1	50-003	Nut, Hex.....	4
10	353 594 X1	50-001-138	Bolt, Hex. Head, Hopper Bracket to Planter.....	4
	353 439 X1	50-14	Washer, Lock.....	4
	353 437 X1	50-003	Nut, Hex.....	4
11	688 119 M1	A-RO-A109	Bracket Assembly, Runner.....	2
12	688 133 M1	A-RO-7100	Spring, Fertilizer Runner.....	2
13	353 560 X1	44-001-112	Bolt, Hex. Head, Bracket to Runner.....	2
	195 115 M1	S-9773-B	Nut, Tri-Lock Type.....	2
14	688 120 M91	A-RO-A112	Runner Assembly.....	2
	688 258 M1	A-RO-A101	Runner.....	1
15	29 163 X	31-16-200	Rivet, Countersunk Head, Rod to Runner.....	1
16	688 131 M1	A-RO-A3810	Clip, Tube.....	2
17	688 130 M1	A-RO-3804	Clip, Spring Rod.....	2
18	688 282 M91	A-RO-A3803	Rod Assembly, Depth Adjusting.....	1
19	354 076 X1	19-05-100	Pin, Cotter, Spring to Rod.....	2
20	688 318 M91	A-RO-B2416	Tube Assembly, Flexible.....	2
21	688 129 M91	A-RO-A2427	Agitator Assembly, Hopper.....	2
22	353 995 X1	31-112-62	Screw, Machine, Round Head, Agitator and Scraper to Hopper	12
	353 446 X1	31-14	Washer, Lock.....	12
	354 122 X1	31-2103	Nut, Hex. Machine.....	12
23	688 128 M1	A-RO-A2420	Scraper, Shaft.....	2
24	353 515 X1	31-001-50	Bolt, Hex. Head, Funnel to Hopper.....	4
	353 755 X1	31-104	Washer, Flat.....	4
	353 446 X1	31-14	Washer, Lock.....	4
	353 916 X1	31-003	Nut, Hex.....	4
25	353 790 X1	31-011-50	Bolt, Carriage, Funnel and Plate to Hopper, Rear.....	4
	353 446 X1	31-14	Washer, Lock.....	4
	195 307 M1	S-9753-B	Nut, Wing.....	4

FIG. 11 FERTILIZER ATTACHMENT

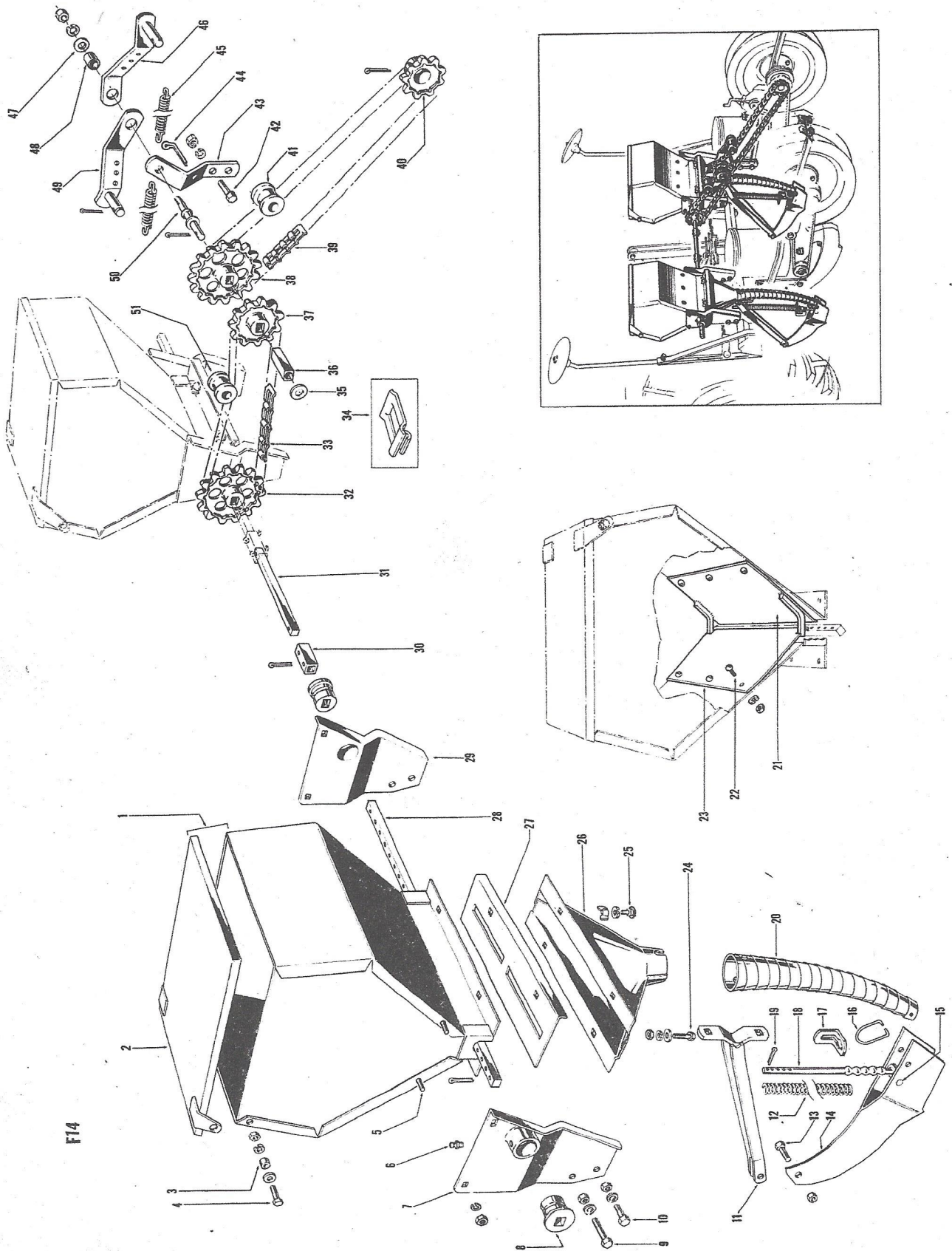


FIG. 11 FERTILIZER ATTACHMENT - Continued

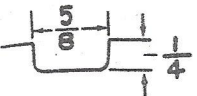
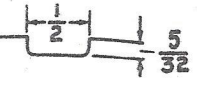
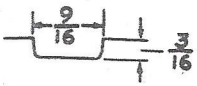
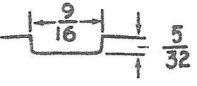
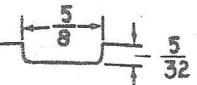
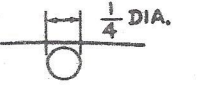

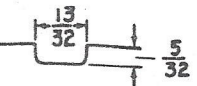
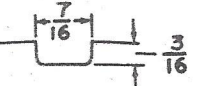
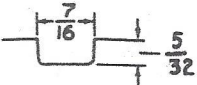
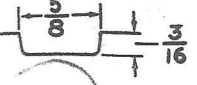
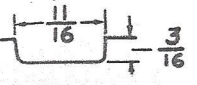
Ref. No.	Part No.	Replaces	Description	No. Req.
26	688 123 M91	A-RO-A2401	Funnel Assembly, Hopper.....	2
27	688 126 M1	A-RO-A2409	Plate, Metering.....	2
28	688 139 M1	A-RO-A9310	Shaft, Metering.....	2
	354 080 X1	19-05-150	Pin, Cotter.....	4
29	688 122 M91	A-RO-A824	Bracket Assembly, Hopper, R.H.....	2
30	688 138 M1	A-RO-A9309	Coupling, Shaft.....	2
	354 080 X1	19-05-150	Pin, Cotter.....	4
31	688 140 M1	A-RO-A9311	Shaft, Extension.....	1
32	688 252 M1	S-10303	Sprocket, Metering Shaft Driven (14 Tooth).....	1
33			Chain Assembly, Metering Shaft Driven (36 Links) (Not serviced, composed of item 34)	
34	L 32	S-9953-B	Link, Chain (sold only in one foot lengths).....	x
35	353 759 X1	56-104	Washer, Flat.....	1
36	688 136 M1	A-RO-A9304	Spacer, Intermediate Sprockets.....	1
37	688 250 M1	S-10302	Sprocket, Idler Drive (11 Tooth).....	1
38	688 253 M1	S-10304	Sprocket, Idler Driven (16 Tooth).....	1
39			Chain Assembly, Drive, Idler Sprockets (56 Links) (Not serviced, composed of item 34)	
40	688 255 M1	S-10305	Sprocket, Press Wheel Drive (9 Tooth).....	1
	12 481 X	19-05-250	Pin, Cotter.....	1
41	688 137 M1	A-RO-A9305	Idler, Chain.....	1
42	353 598 X1	50-001-188	Bolt, Hex. Head, Sprocket Bracket to Planter.....	2
	353 439 X1	50-14	Washer, Lock.....	2
	353 437 X1	50-003	Nut, Hex.....	2
43	688 134 M1	A-RO-A9301	Bracket, Sprocket Idler Arm.....	1
44	354 089 X1	25-05-125	Pin, Cotter.....	1
45	688 143 M1	A-RO-A9317	Spring, Sprocket Idler.....	2
46	688 289 M91	A-RO-A9319	Arm Assembly, Rear Idler.....	1
	354 074 X1	19-05-75	Pin, Cotter (Not Illustrated).....	1
	353 758 X1	50-104	Washer, Flat.....	1
	353 439 X1	50-14	Washer, Lock.....	1
	353 437 X1	50-003	Nut, Hex.....	1
47	688 144 M1	A-RO-A9318	Spacer, Idler Arm.....	1
48	688 142 M91	A-RO-A9315	Arm Assembly, Front Idler.....	1
	354 074 X1	19-05-75	Pin, Cotter.....	1
49	688 135 M1	A-RO-A9303	Pin, Idler Sprocket.....	1
	353 759 X1	56-104	Washer, Flat.....	1
	354 074 X1	19-05-75	Pin, Cotter.....	1
50	688 137 M1	A-RO-A9305	Idler, Chain.....	1
ADDITIONAL SPROCKETS NOT ILLUSTRATED				
	688 245 M1	S-10300	Sprocket, Drive or Driven (6 Tooth)	
	688 247 M1	S-10301	Sprocket (8 Tooth)	

Note: x - in Right Hand Column - As Required.

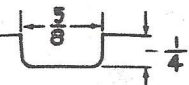
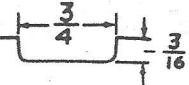
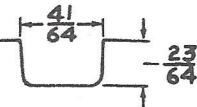
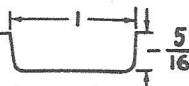
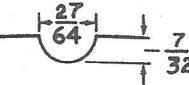
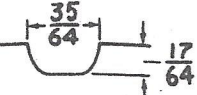
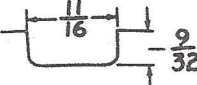
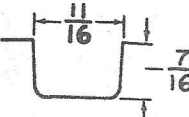
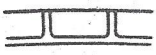


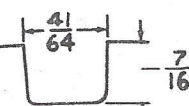
SEED PLATES CHART

Seed Plate Number	No. of Cells	False Plate		Cell Dimensions		Full Size Thickness	Kind of Seed
		D-PO	D-PO-A	Length	Width		
688 180 M1 <i>DPo 1863</i>	24	688 176 M1	688 445 M1		$\frac{9}{32}$	5/16	Medium Round Corn, Large Navy Beans, Valentine Green Pod Beans, Cranberry Beans, Golden Wax Beans, Pinto Beans
688 181 M1 <i>DPo 1864</i>	24	688 176 M1	688 445 M1		$\frac{5}{32}$	5/16	Medium Flat Corn
688 182 M1 <i>DPo 1864</i>	24	688 176 M1	688 445 M1		$\frac{3}{16}$	5/16	Large Flat Corn, Wax Beans
688 448 M1 <i>DPo 1831</i>	24	688 176 M1	688 445 M1		$\frac{1}{4}$	5/16	Small Round Corn
688 449 M1 <i>DPo 1833</i>	24	688 176 M1	688 445 M1		$\frac{9}{32}$	5/16	Large Round Corn
688 450 M1 <i>DPo-1834</i>	24	688 176 M1	688 445 M1		$\frac{5}{16}$	5/16	Large Round Corn, Romanie Beans, Bush Beans
688 451 M1 <i>DPo-1840</i>	24	688 176 M1	688 445 M1		$\frac{7}{32}$	5/16	Small Thick Corn
688 452 M1 <i>DPo-1841</i>	24	688 176 M1	688 445 M1		$\frac{1}{4}$	5/16	Large Thick Corn, Medium Argentine Corn, Great Northern Beans
688 453 M1 <i>DPo-1842</i>	24	688 176 M1	688 445 M1		$\frac{1}{4}$	5/16	Medium Thick Corn, Large Sweet Corn, Baby Lima Beans
688 454 M1	24	688 555 M1	688 446 M1		$\frac{1}{32}$	3/16	Extra Small Round Corn, Popcorn Small White Beans, Navy Beans (N.Y.), White Navy Beans
688 455 M1 <i>DPo-1843</i>	24	688 176 M1	688 445 M1		$\frac{1}{4}$	5/16	Extra Large Thick Corn
688 456 M1 <i>DPo-1850</i>	24	688 555 M1	688 446 M1		$\frac{1}{4}$	5/32	Extra Small Thin Corn

SEED PLATES CHART — Continued

Seed Plate Number	No. of Cells	D-PO	D-PO-A	Cell Dimensions Length Width	Full Size Thickness	Kind of Seed
<i>DPO 1857</i> 688 457 M1	24	688 555 M1	688 446 M1		5/32	Small Thin Corn, Medium Country Gentlemen Sweet Corn
<i>DPO 1853</i> 688 459 M1	24	688 176 M1	688 445 M1		5/16	Extra Small Narrow Corn, Late Blend Silo Bred
<i>DPO-1854</i> 688 460 M1	24	688 176 M1	688 445 M1		5/16	Small Slender Corn, Common Small Corn, Great Northern Beans
<i>DPO-1855</i> 688 461 M1	24	688 176 M1	688 445 M1		5/16	Medium Thin Corn, Small Slender Hybrid
<i>DPO 1856</i> 688 462 M1	24	688 176 M1 or 688 554 M1	688 445 M1		5/16	Large Thin Corn
<i>DPO A1857</i> 688 463 M1	36	688 555 M1	688 446 M1		5/32	Kafir & Sorghum
<i>DPO A1858</i> 688 464 M1		688 555 M1	688 446 M1		5/32	Blank Plate 48 Marks Equally Spaced
<i>DPO-1860</i> 688 465 M1	24	688 556 M1	688 446 M1		1/4	Extra, Extra, Small Flat Corn
<i>DPO-1861</i> 688 466 M1	24	688 176 M1	688 445 M1		5/16	Small Flat Corn, Japanese Popcorn
<i>DPO-1862</i> 688 467 M1	24	688 176 M1	688 445 M1		5/16	Extra Small Flat Corn, Small Sweet Corn
<i>DPO A1868</i> 688 468 M1	24	688 176 M1 or 688 554 M1	688 445 M1		5/16	Extra Large Flat Corn, White Southern Corn, Common Red Cob Corn, Kentucky Wonder Beans
<i>DPO-A1866</i> 688 469 M1	24	688 176 M1	688 445 M1		5/16	Yellow Dent Corn, Tenn. Red Cob Corn, Mosby's Prolific Corn, Common Large Flat Corn

SEED PLATES CHART — Continued

Seed Plate Number	No. of Cells	D-PO	D-PO-A	Cell Dimensions		Full Size Thickness	Kind of Seed
				Length	Width		
<i>DPO</i> 688 470 M1	24	688 176 M1	688 445 M1		5/16	Common Large Thick Corn	
<i>DPO-A 1868</i> 688 471 M1	24	688 176 M1	688 445 M1		5/16	Hickory King Corn	
<i>DPO-A 1869</i> 688 472 M1	36	688 176 M1	688 445 M1		5/16	White Marrow Beans (Perry)	
<i>DPO-1820</i> 688 473 M1	27	688 176 M1	688 445 M1		5/16	Soybeans	
<i>DPO-A 1871</i> 688 480 M1	48	688 555 M1	688 446 M1		1/4	Small Beans: Small White Beans Navy Beans (N.Y.), White Navy Beans	
<i>DPO-A 1872</i> 688 481 M1	36	688 176 M1	688 445 M1		5/16	Medium Beans: Large Navy Beans, Great Northern Beans, Wax Beans	
<i>DPO-A 1873</i> 688 482 M1	36	688 176 M1	688 445 M1		5/16	Large Beans: Red, White & Imperial Wax Kidney; Golden Wax; Stringless & Valentine Green Pod	
<i>DPO-A 1875</i> 688 483 M1	30	---	688 445 M1		5/16	Lima Beans (Ford Hook #242)	
<i>DPO-1877</i> 688 484 M1		688 555 M1	688 446 M1		3/16	Blank Plate 48 Marks Equally Spaced	
<i>DPO-1878</i> 688 485 M1		688 555 M1	688 446 M1		1/4	Blank Plate 48 Marks Equally Spaced	
<i>DPO-1879</i> 688 486 M1		688 176 M1	688 445 M1		5/16	Blank Plate 48 Marks Equally Spaced	
<i>DPO-A 1910</i> 688 497 M1	6	688 176 M1	688 445 M1		5/16	Medium Round Corn, Medium & Large Flat Corn	

